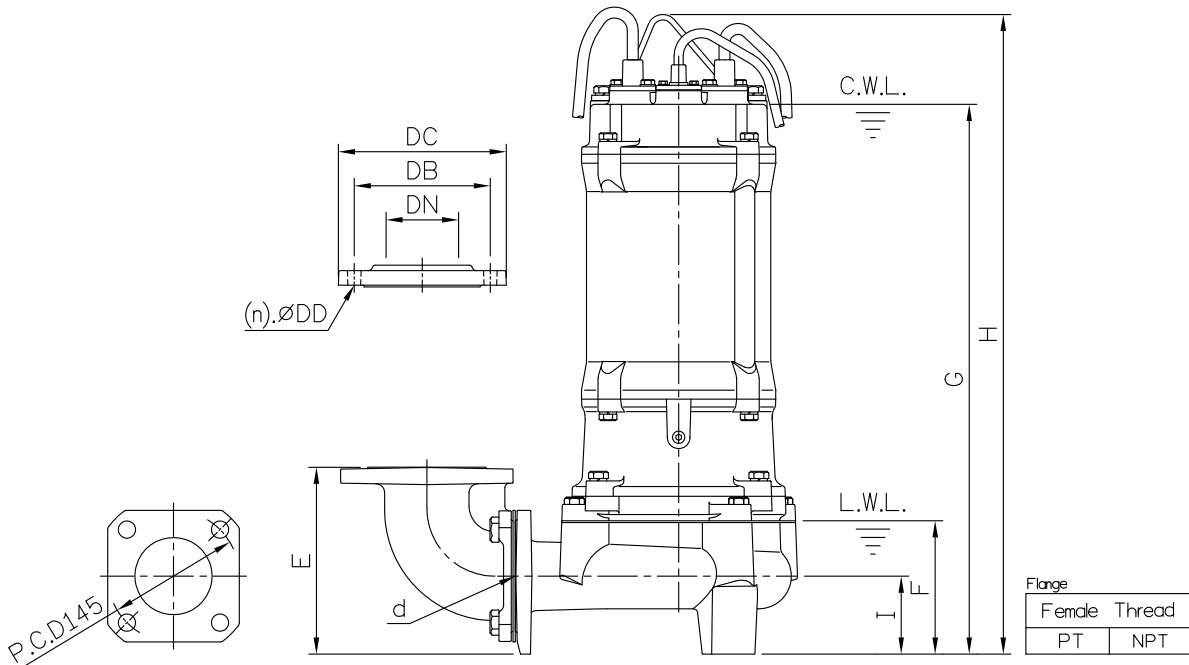
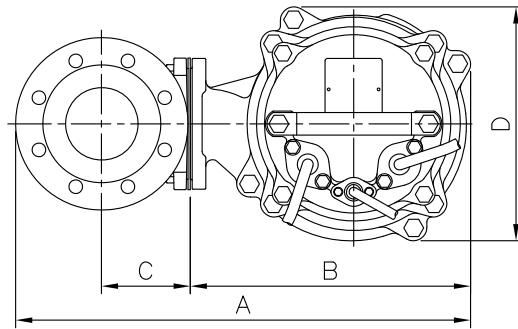


DIMENSIONS

No: S3AFU2A1030-00

MODEL: 80AFU211 & 80AFU211L

3Ø



Dimensions--mm

Weight:Kg

Model	d	A	B	C	D	E	F	G	H	I	WT1 50Hz/60Hz	Elbow (Flange) Set	DN	DB	DC	DD	(n)QTY	WT2
80AFU211	80	501	309	98	258	206	147	606	705	86	85/84	EB3-150A	80	150	185	15	8	12
80AFU211L	80	506	314	98	273	242	199	658	757	122	87/86	EB3-150A	80	150	185	15	8	12

Dimensions--inch

Weight:Lbs

Model	d	A	B	C	D	E	F	G	H	I	WT1 50Hz/60Hz	Elbow (Flange) Set	DN	DB	DC	DD	(n)QTY	WT2
80AFU211	3	19 ³ / ₄	12 ³ / ₁₆	3 ⁷ / ₈	10 ³ / ₁₆	8 ¹ / ₂	5 ³ / ₁₆	23 ⁷ / ₈	27 ³ / ₄	3 ³ / ₈	187/185	EB3-150A	3	5 ⁵ / ₁₆	7 ⁵ / ₁₆	9 ¹ / ₁₆	8	26
80AFU211L	3	19 ⁷ / ₁₆	12 ³ / ₁₆	3 ⁷ / ₈	10 ³ / ₄	9 ¹ / ₂	7 ³ / ₁₆	25 ⁵ / ₁₆	29 ¹ / ₁₆	4 ⁷ / ₁₆	192/190	EB3-150A	3	5 ⁵ / ₁₆	7 ⁵ / ₁₆	9 ¹ / ₁₆	8	26

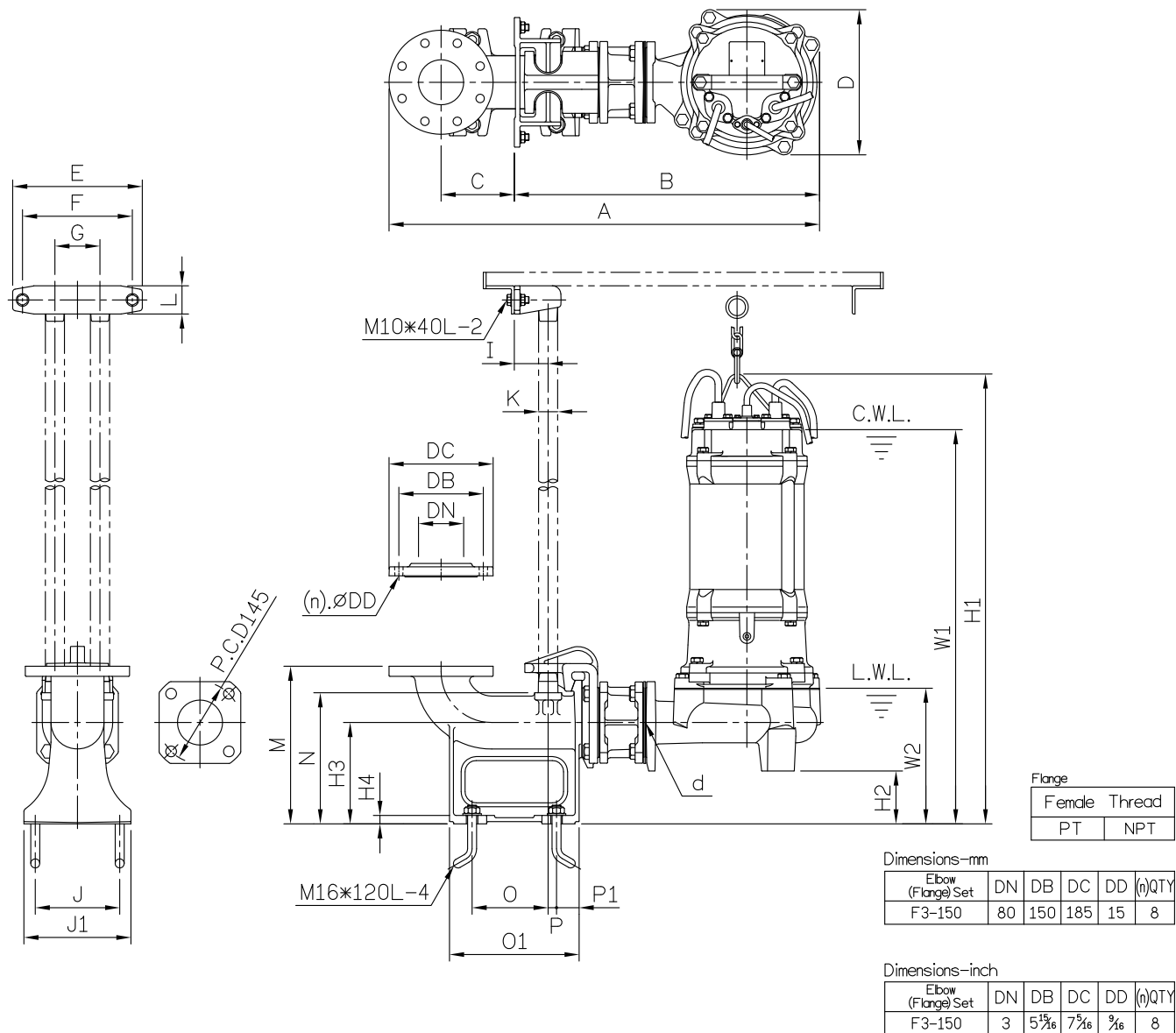
C.W.L.:Continuous Running Water Level WT1:Pump Weight(Without Cable)
L.W.L.:Lowest Running Water Level WT2:Elbow Set Weight

DIMENSIONS

No: S3AFU2A103T-00

MODEL: 80AFU211 & 80AFU211L

3Ø



Dimensions-mm

Weight:kg

Model	d	A	B	C	D	E	F	G	I	J	J1	K	L	M	N	O	O1	P	P1	W1	W2	H1	H2	H3	H4	WT1 50Hz/60Hz	GRS Set	WT2
80AFU211	80	764	542	130	258	230	195	80	60	150	190	1 ¹ / ₄	50	280	233	135	230	15	40	700	241	799	94	180	15	85/84	T80DH	31
80AFU211L	80	769	547	130	273	230	195	80	60	150	190	1 ¹ / ₄	50	280	233	135	230	15	40	716	257	815	58	180	15	87/86	T80DH	31

Dimensions-inch

Weight:lb

Model	d	A	B	C	D	E	F	G	I	J	J1	K	L	M	N	O	O1	P	P1	W1	W2	H1	H2	H3	H4	WT1 50Hz/60Hz	GRS Set	WT2
80AFU211	3	30 ¹ / ₁₆	21 ⁵ / ₁₆	5 ¹ / ₁₆	10 ³ / ₁₆	9 ¹ / ₁₆	7 ⁷ / ₁₆	3 ¹ / ₈	2 ³ / ₈	5 ⁵ / ₁₆	7 ¹ / ₂	1 ¹ / ₄	2	11	9 ³ / ₁₆	5 ⁵ / ₁₆	9 ¹ / ₁₆	3 ¹ / ₁₆	1 ¹ / ₁₆	27 ³ / ₁₆	9 ¹ / ₂	31 ⁷ / ₁₆	3 ¹ / ₁₆	7 ⁷ / ₁₆	1 ¹ / ₁₆	187/185	T80DH	68
80AFU211L	3	30 ³ / ₄	21 ³ / ₁₆	5 ¹ / ₁₆	10 ³ / ₄	9 ¹ / ₁₆	7 ⁷ / ₁₆	3 ¹ / ₈	2 ³ / ₈	5 ⁵ / ₁₆	7 ¹ / ₂	1 ¹ / ₄	2	11	9 ³ / ₁₆	5 ⁵ / ₁₆	9 ¹ / ₁₆	3 ¹ / ₁₆	1 ¹ / ₁₆	28 ³ / ₁₆	10 ¹ / ₈	32 ⁷ / ₁₆	2 ⁵ / ₁₆	7 ⁷ / ₁₆	1 ¹ / ₁₆	192/190	T80DH	68

C.W.L.:Continuous Running Water Level WT1:Pump Weight(Without Cable)
L.W.L.:Lowest Running Water Level WT2:GRS Set Weight