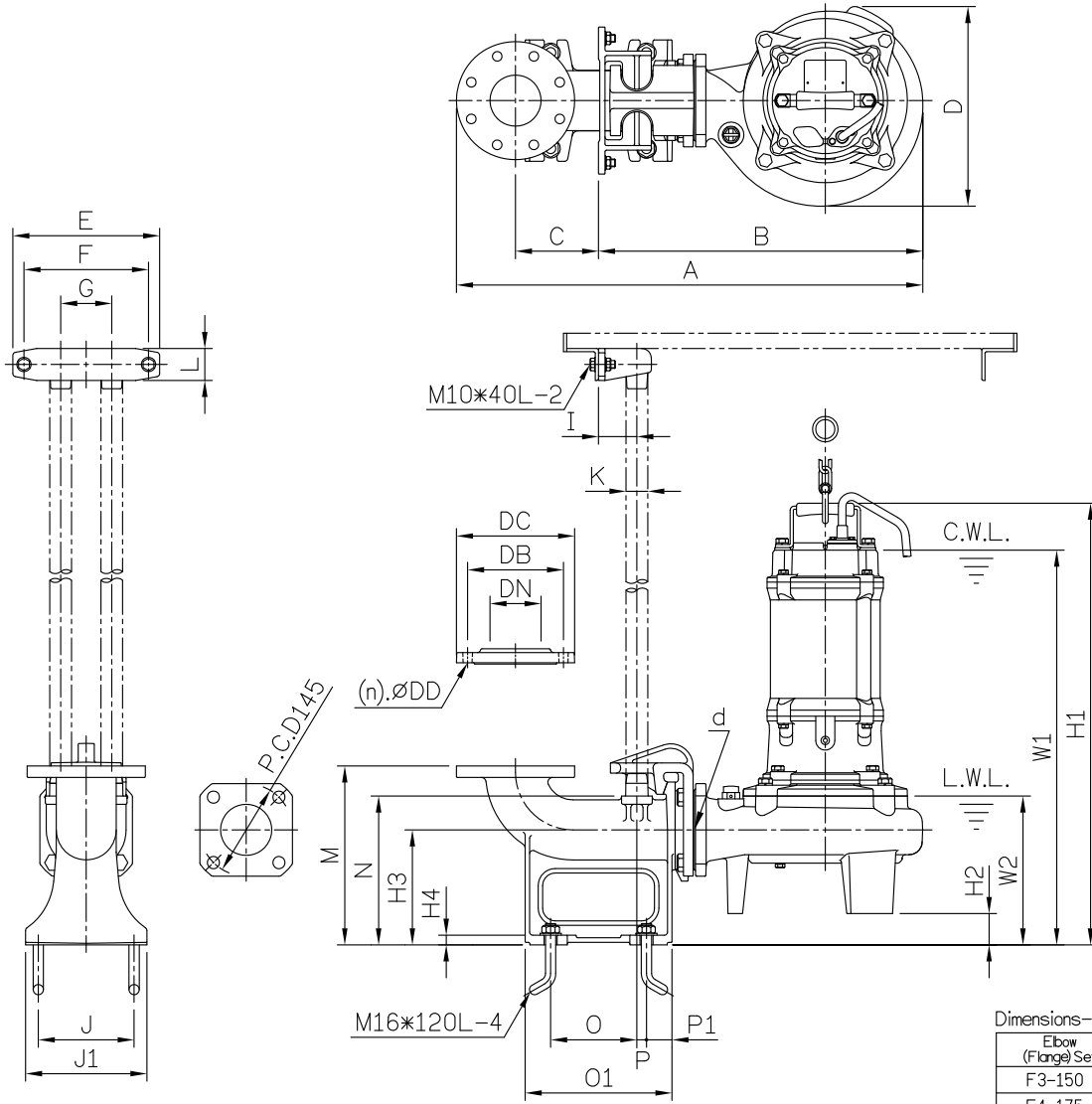


DIMENSIONS

No: S3AFP43703T-00

MODEL: 80AFP42.2 & 80(100)AFP43.7

3Ø



Flange	
Female	Thread
PT	NPT

Dimensions-mm

Elbow (Flange) Set	DN	DB	DC	DD	(n)QTY
F3-150	80	150	185	15	8
F4-175	100	175	210	15	8

Dimensions-inch

Elbow (Flange) Set	DN	DB	DC	DD	(n)QTY
F3-150	3	5 15/16	7 5/16	5/8	8
F4-175	4	6 7/8	8 3/4	5/8	8

Dimensions-mm

Model	d	A	B	C	D	E	F	G	I	J	J1	K	L	M	N	O	O1	P	P1	W1	W2	H1	H2	H3	H4	Weight:Kg		
																										WT1 50Hz/60Hz	GRS Set WT2	
80AFP42.2	80	733	511	130	313	230	195	80	60	150	190	1 1/4	50	280	233	135	230	15	40	578	233	652	49	180	15	58/56	T80D	27
80(100)AFP43.7	80	733	511	130	313	230	195	80	60	150	190	1 1/4	50	280	233	135	230	15	40	618	233	692	49	180	15	67/66	T80D	27
80(100)AFP43.7	80	765	511	150	313	230	195	80	60	170	210	1 1/4	50	285	233	155	250	15	40	618	233	692	49	180	15	67/66	T100(80)B	30

Dimensions-inch

Model	d	A	B	C	D	E	F	G	I	J	J1	K	L	M	N	O	O1	P	P1	W1	W2	H1	H2	H3	H4	Weight:Lbs		
																										WT1 50Hz/60Hz	GRS Set WT2	
80AFP42.2	3	28 7/8	20 1/8	5 1/8	12 5/8	9 1/8	7 1/8	3 1/8	2 3/8	5 9/16	7 1/2	1 1/4	2	11	9 3/16	5 5/16	9 1/8	5/8	1 1/16	22 3/4	9 3/16	25 1/8	1 15/16	7 1/8	5/8	128/123	T80D	59
80(100)AFP43.7	3	28 7/8	20 1/8	5 1/8	12 5/8	9 1/8	7 1/8	3 3/8	2 3/8	5 9/16	7 1/2	1 1/4	2	11	9 3/16	5 5/16	9 1/8	5/8	1 1/16	24 5/16	9 3/16	27 1/4	1 15/16	7 1/8	5/8	148/146	T80D	59
80(100)AFP43.7	3	30 3/8	20 1/8	5 1/8	12 5/8	9 1/8	7 1/8	3 3/8	2 3/8	6 1/8	8 3/4	1 1/4	2	11 1/4	9 1/8	6 1/8	9 13/16	5/8	1 1/16	24 1/8	9 3/16	27 1/4	1 15/16	7 1/8	5/8	148/146	T100(80)B	67

C.W.L.:Continuous Running Water Level WT1:Pump Weight(Without Cable)
L.W.L.:Lowest Running Water Level WT2:GRS Set Weight