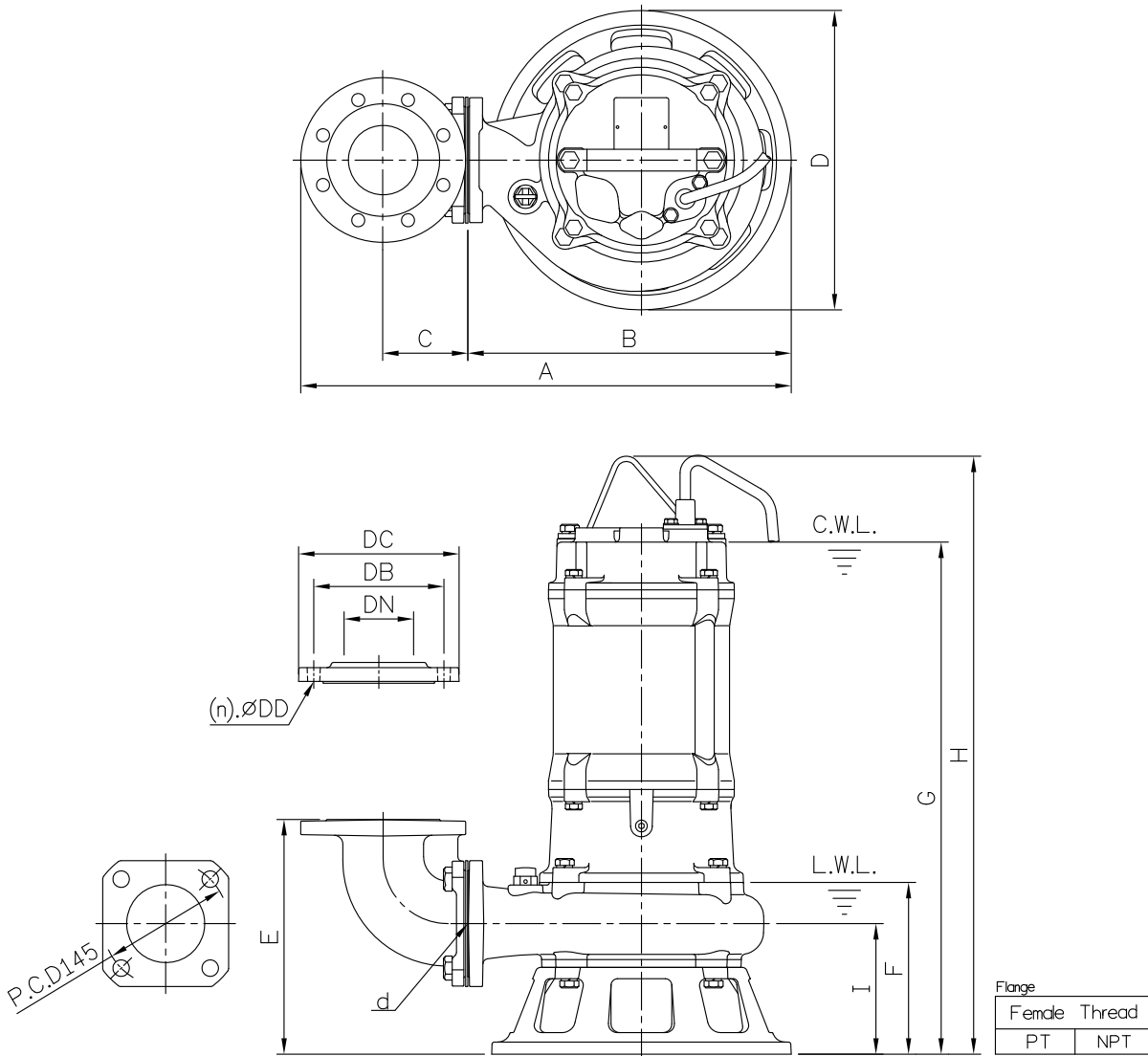


DIMENSIONS

No: S3AFP275030-00

MODEL: 80(100)AFP25.5 & 80(100)AFP27.5

30



Dimensions-mm

Weight:Kg

Model	d	A	B	C	D	E	F	G	H	I	WT1 50Hz/60Hz	Elbow (Flange) Set	DN	DB	DC	DD	(n)QTY	WT2
80(100)AFP25.5	80	565	373	98	345	270	198	590	689	151	75/74	EB3-150A	80	150	185	15	8	12
80(100)AFP27.5	80	565	373	98	345	270	198	590	689	151	81/80	EB3-150A	80	150	185	15	8	12
80(100)AFP25.5	80	596	373	113	345	282	198	590	689	151	75/74	EB4-175(145)	100	175	210	15	8	14
80(100)AFP27.5	80	596	373	113	345	282	198	590	689	151	81/80	EB4-175(145)	100	175	210	15	8	14

Dimensions-inch

Weight:Lbs

Model	d	A	B	C	D	E	F	G	H	I	WT1 50Hz/60Hz	Elbow (Flange) Set	DN	DB	DC	DD	(n)QTY	WT2
80(100)AFP25.5	3	22 ¹ / ₄	14 ¹ / ₈	3 ⁷ / ₈	13 ³ / ₈	10 ⁵ / ₈	7 ¹ / ₈	23 ³ / ₄	27 ¹ / ₈	5 ¹⁵ / ₁₆	165/163	EB3-150A	3	5 ⁵ / ₈	7 ⁵ / ₈	3 ¹ / ₈	8	26
80(100)AFP27.5	3	22 ¹ / ₄	14 ¹ / ₈	3 ⁷ / ₈	13 ³ / ₈	10 ⁵ / ₈	7 ¹ / ₈	23 ³ / ₄	27 ¹ / ₈	5 ¹⁵ / ₁₆	178/176	EB3-150A	3	5 ⁵ / ₈	7 ⁵ / ₈	3 ¹ / ₈	8	26
80(100)AFP25.5	3	23 ³ / ₈	14 ¹ / ₈	4 ¹ / ₈	13 ³ / ₈	11 ¹ / ₈	7 ¹ / ₈	23 ³ / ₄	27 ¹ / ₈	5 ¹⁵ / ₁₆	165/163	EB4-175(145)	4	6 ⁷ / ₈	8 ¹ / ₄	3 ¹ / ₈	8	30
80(100)AFP27.5	3	23 ³ / ₈	14 ¹ / ₈	4 ¹ / ₈	13 ³ / ₈	11 ¹ / ₈	7 ¹ / ₈	23 ³ / ₄	27 ¹ / ₈	5 ¹⁵ / ₁₆	178/176	EB4-175(145)	4	6 ⁷ / ₈	8 ¹ / ₄	3 ¹ / ₈	8	30

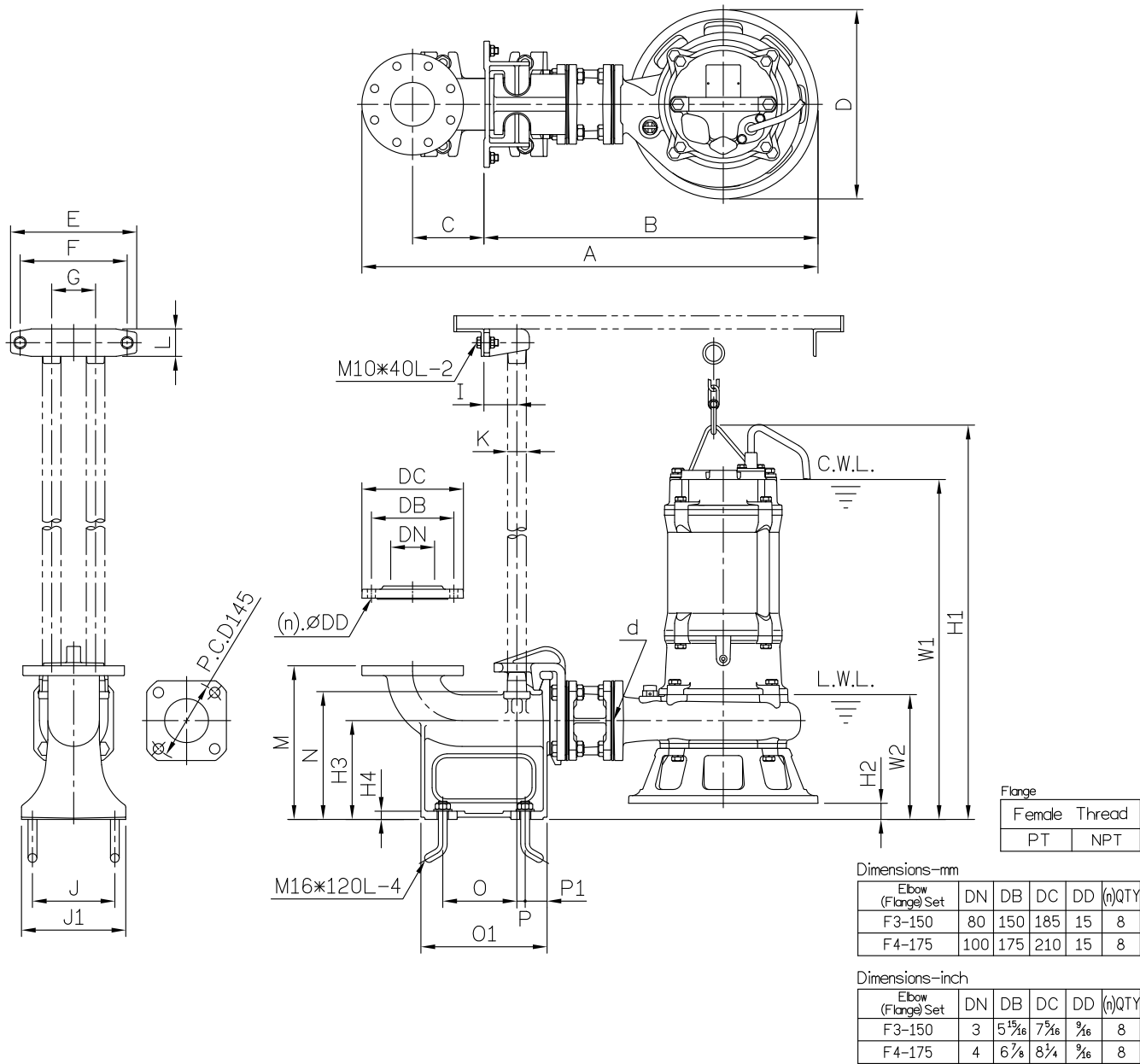
C.W.L.:Continuous Running Water Level WT1:Pump Weight(Without Cable)
L.W.L.:Lowest Running Water Level WT2:Elbow Set Weight

DIMENSIONS

No: S3AFP27503T-00

MODEL: 80(100)AFP25.5 & 80(100)AFP27.5

30



Dimensions-mm

Model	d	A	B	C	D	E	F	G	I	J	J1	K	L	M	N	O	O1	P	P1	W1	W2	H1	H2	H3	H4	Weight:Kg		
																										WT1 50Hz/60Hz	GRS Set	WT2
80(100)AFP25.5	80	831	609	130	345	230	195	80	60	150	190	1 ¹ / ₄	50	280	233	135	230	15	40	620	228	719	30	180	15	75/74	T80DH	31
80(100)AFP27.5	80	831	609	130	345	230	195	80	60	150	190	1 ¹ / ₄	50	280	233	135	230	15	40	620	228	719	30	180	15	81/80	T80DH	31
80(100)AFP25.5	80	863	609	150	345	230	195	80	60	170	210	1 ¹ / ₄	50	285	233	155	250	15	40	620	228	719	30	180	15	75/74	T100(80)BH	34
80(100)AFP27.5	80	863	609	150	345	230	195	80	60	170	210	1 ¹ / ₄	50	285	233	155	250	15	40	620	228	719	30	180	15	81/80	T100(80)BH	34

Dimensions-inch

Model	d	A	B	C	D	E	F	G	I	J	J1	K	L	M	N	O	O1	P	P1	W1	W2	H1	H2	H3	H4	Weight:Lbs		
																										WT1 50Hz/60Hz	GRS Set	WT2
80(100)AFP25.5	3	32 ¹ / ₁₆	24	5 ¹ / ₁₆	13 ³ / ₁₆	9 ¹ / ₁₆	7 ¹ / ₁₆	3 ³ / ₁₆	2 ³ / ₁₆	5 ⁵ / ₁₆	7 ¹ / ₂	1 ¹ / ₄	2	11	9 ³ / ₁₆	5 ¹ / ₁₆	9 ¹ / ₁₆	9 ¹ / ₁₆	1 ¹ / ₁₆	24 ¹ / ₁₆	9	28 ⁵ / ₁₆	1 ¹ / ₁₆	7 ¹ / ₁₆	9 ¹ / ₁₆	165/163	T80DH	68
80(100)AFP27.5	3	32 ¹ / ₁₆	24	5 ¹ / ₁₆	13 ³ / ₁₆	9 ¹ / ₁₆	7 ¹ / ₁₆	3 ³ / ₁₆	2 ³ / ₁₆	5 ⁵ / ₁₆	7 ¹ / ₂	1 ¹ / ₄	2	11	9 ³ / ₁₆	5 ¹ / ₁₆	9 ¹ / ₁₆	9 ¹ / ₁₆	1 ¹ / ₁₆	24 ¹ / ₁₆	9	28 ⁵ / ₁₆	1 ¹ / ₁₆	7 ¹ / ₁₆	9 ¹ / ₁₆	179/176	T80DH	68
80(100)AFP25.5	3	34	24	5 ¹ / ₁₆	13 ³ / ₁₆	9 ¹ / ₁₆	7 ¹ / ₁₆	3 ³ / ₁₆	2 ³ / ₁₆	6 ¹ / ₁₆	8 ¹ / ₄	1 ¹ / ₄	2	11 ¹ / ₄	9 ³ / ₁₆	6 ⁷ / ₁₆	9 ³ / ₁₆	9 ¹ / ₁₆	1 ¹ / ₁₆	24 ¹ / ₁₆	9	28 ⁵ / ₁₆	1 ¹ / ₁₆	7 ¹ / ₁₆	9 ¹ / ₁₆	165/163	T100(80)BH	75
80(100)AFP27.5	3	34	24	5 ¹ / ₁₆	13 ³ / ₁₆	9 ¹ / ₁₆	7 ¹ / ₁₆	3 ³ / ₁₆	2 ³ / ₁₆	6 ¹ / ₁₆	8 ¹ / ₄	1 ¹ / ₄	2	11 ¹ / ₄	9 ³ / ₁₆	6 ⁷ / ₁₆	9 ³ / ₁₆	9 ¹ / ₁₆	1 ¹ / ₁₆	24 ¹ / ₁₆	9	28 ⁵ / ₁₆	1 ¹ / ₁₆	7 ¹ / ₁₆	9 ¹ / ₁₆	179/176	T100(80)BH	75

C.W.L.:Continuous Running Water Level WT1:Pump Weight(Without Cable)
L.W.L.:Lowest Running Water Level WT2:GRS Set Weight