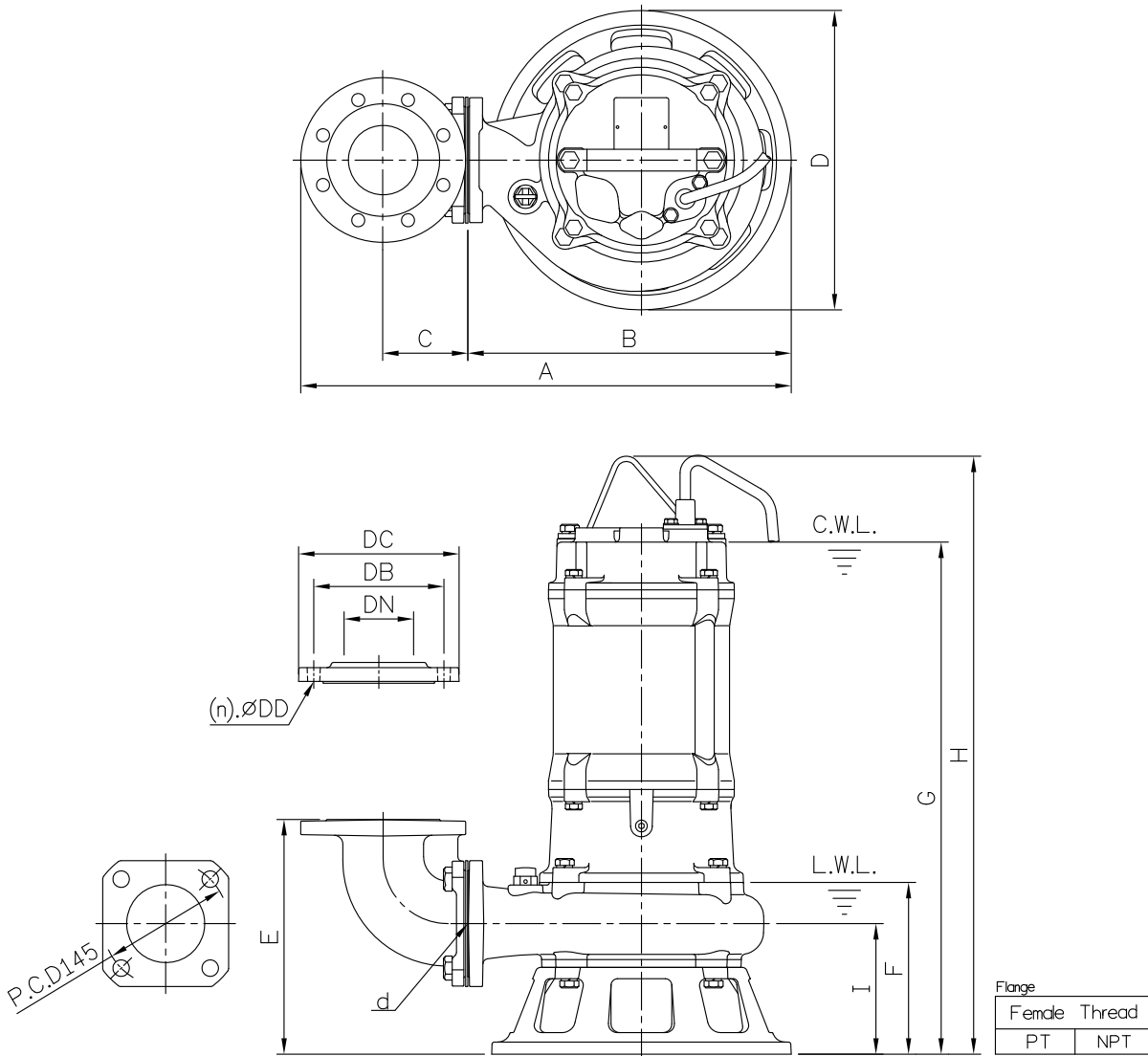


**DIMENSIONS**

**No: S3AFP275030-00**

**MODEL: 80(100)AFP25.5 & 80(100)AFP27.5**

**30**



Dimensions-mm

Weight:Kg

Model	d	A	B	C	D	E	F	G	H	I	WT1 50Hz/60Hz	Elbow (Flange) Set	DN	DB	DC	DD	(n)QTY	WT2
80(100)AFP25.5	80	565	373	98	345	270	198	590	689	151	75/74	EB3-150A	80	150	185	15	8	12
80(100)AFP27.5	80	565	373	98	345	270	198	590	689	151	81/80	EB3-150A	80	150	185	15	8	12
80(100)AFP25.5	80	596	373	113	345	282	198	590	689	151	75/74	EB4-175(145)	100	175	210	15	8	14
80(100)AFP27.5	80	596	373	113	345	282	198	590	689	151	81/80	EB4-175(145)	100	175	210	15	8	14

Dimensions-inch

Weight:Lbs

Model	d	A	B	C	D	E	F	G	H	I	WT1 50Hz/60Hz	Elbow (Flange) Set	DN	DB	DC	DD	(n)QTY	WT2
80(100)AFP25.5	3	22 <sup>1</sup> / <sub>4</sub>	14 <sup>1</sup> / <sub>8</sub>	3 <sup>7</sup> / <sub>8</sub>	13 <sup>3</sup> / <sub>8</sub>	10 <sup>5</sup> / <sub>8</sub>	7 <sup>7</sup> / <sub>8</sub>	23 <sup>3</sup> / <sub>4</sub>	27 <sup>1</sup> / <sub>8</sub>	5 <sup>15</sup> / <sub>16</sub>	165/163	EB3-150A	3	5 <sup>5</sup> / <sub>8</sub>	7 <sup>5</sup> / <sub>8</sub>	3 <sup>1</sup> / <sub>8</sub>	8	26
80(100)AFP27.5	3	22 <sup>1</sup> / <sub>4</sub>	14 <sup>1</sup> / <sub>8</sub>	3 <sup>7</sup> / <sub>8</sub>	13 <sup>3</sup> / <sub>8</sub>	10 <sup>5</sup> / <sub>8</sub>	7 <sup>7</sup> / <sub>8</sub>	23 <sup>3</sup> / <sub>4</sub>	27 <sup>1</sup> / <sub>8</sub>	5 <sup>15</sup> / <sub>16</sub>	178/176	EB3-150A	3	5 <sup>5</sup> / <sub>8</sub>	7 <sup>5</sup> / <sub>8</sub>	3 <sup>1</sup> / <sub>8</sub>	8	26
80(100)AFP25.5	3	23 <sup>3</sup> / <sub>8</sub>	14 <sup>1</sup> / <sub>8</sub>	4 <sup>1</sup> / <sub>8</sub>	13 <sup>3</sup> / <sub>8</sub>	11 <sup>1</sup> / <sub>8</sub>	7 <sup>7</sup> / <sub>8</sub>	23 <sup>3</sup> / <sub>4</sub>	27 <sup>1</sup> / <sub>8</sub>	5 <sup>15</sup> / <sub>16</sub>	165/163	EB4-175(145)	4	6 <sup>7</sup> / <sub>8</sub>	8 <sup>3</sup> / <sub>4</sub>	3 <sup>1</sup> / <sub>8</sub>	8	30
80(100)AFP27.5	3	23 <sup>3</sup> / <sub>8</sub>	14 <sup>1</sup> / <sub>8</sub>	4 <sup>1</sup> / <sub>8</sub>	13 <sup>3</sup> / <sub>8</sub>	11 <sup>1</sup> / <sub>8</sub>	7 <sup>7</sup> / <sub>8</sub>	23 <sup>3</sup> / <sub>4</sub>	27 <sup>1</sup> / <sub>8</sub>	5 <sup>15</sup> / <sub>16</sub>	178/176	EB4-175(145)	4	6 <sup>7</sup> / <sub>8</sub>	8 <sup>3</sup> / <sub>4</sub>	3 <sup>1</sup> / <sub>8</sub>	8	30

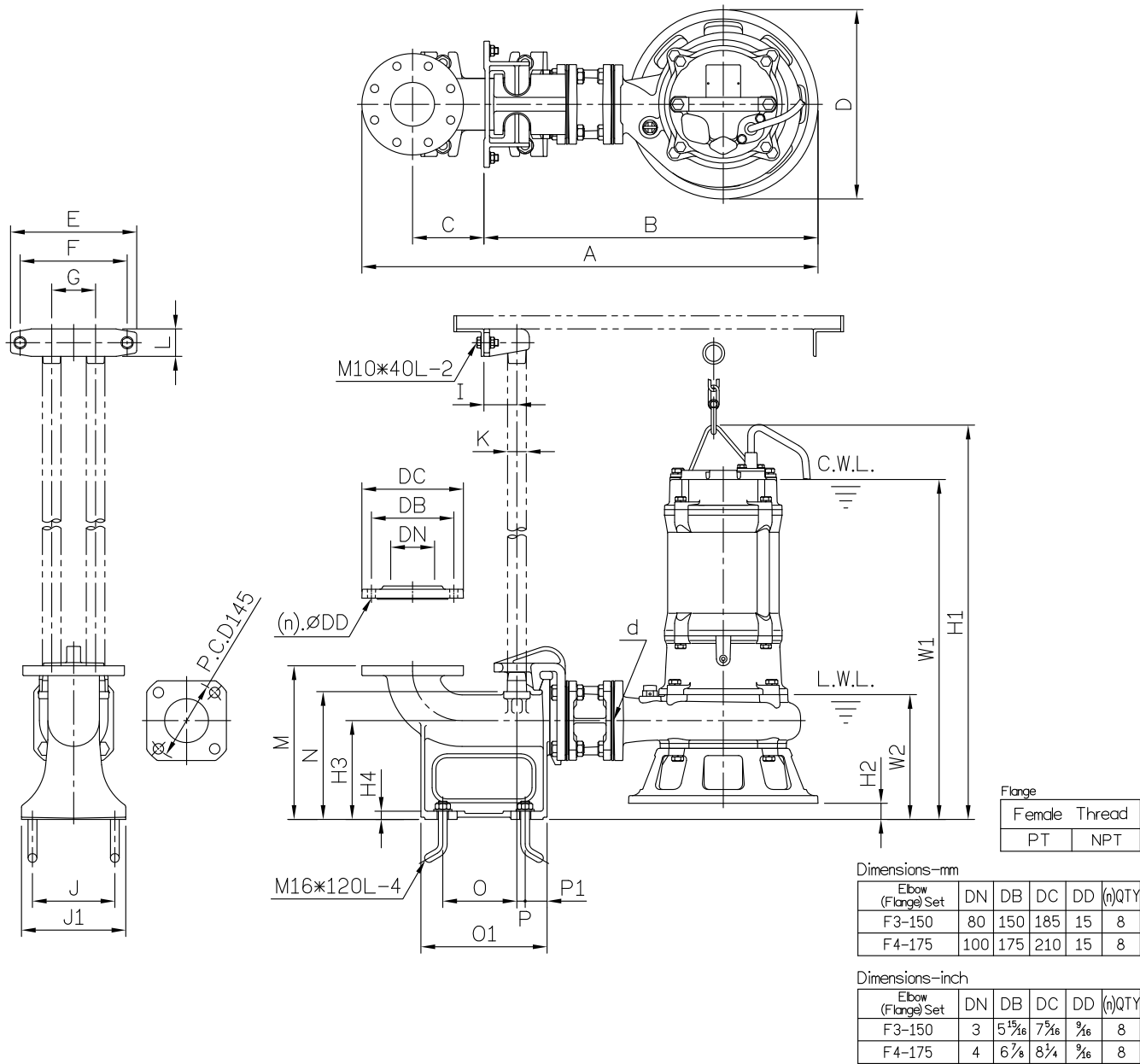
C.W.L.:Continuous Running Water Level WT1:Pump Weight(Without Cable)  
L.W.L.:Lowest Running Water Level WT2:Elbow Set Weight

**DIMENSIONS**

**No: S3AFP27503T-00**

**MODEL: 80(100)AFP25.5 & 80(100)AFP27.5**

**3Ø**



Dimensions-mm

Model	d	A	B	C	D	E	F	G	I	J	J1	K	L	M	N	O	O1	P	P1	W1	W2	H1	H2	H3	H4	Weight:Kg		
																										WT1 50Hz/60Hz	GRS Set	WT2
80(100)AFP25.5	80	831	609	130	345	230	195	80	60	150	190	1 <sup>1</sup> / <sub>4</sub>	50	280	233	135	230	15	40	620	228	719	30	180	15	75/74	T80DH	31
80(100)AFP27.5	80	831	609	130	345	230	195	80	60	150	190	1 <sup>1</sup> / <sub>4</sub>	50	280	233	135	230	15	40	620	228	719	30	180	15	81/80	T80DH	31
80(100)AFP25.5	80	863	609	150	345	230	195	80	60	170	210	1 <sup>1</sup> / <sub>4</sub>	50	285	233	155	250	15	40	620	228	719	30	180	15	75/74	T100(80)BH	34
80(100)AFP27.5	80	863	609	150	345	230	195	80	60	170	210	1 <sup>1</sup> / <sub>4</sub>	50	285	233	155	250	15	40	620	228	719	30	180	15	81/80	T100(80)BH	34

Dimensions-inch

Model	d	A	B	C	D	E	F	G	I	J	J1	K	L	M	N	O	O1	P	P1	W1	W2	H1	H2	H3	H4	Weight:Lbs		
																										WT1 50Hz/60Hz	GRS Set	WT2
80(100)AFP25.5	3	32 <sup>1</sup> / <sub>16</sub>	24	5 <sup>1</sup> / <sub>8</sub>	13 <sup>3</sup> / <sub>16</sub>	9 <sup>1</sup> / <sub>16</sub>	7 <sup>7</sup> / <sub>16</sub>	3 <sup>3</sup> / <sub>8</sub>	2 <sup>3</sup> / <sub>8</sub>	5 <sup>5</sup> / <sub>16</sub>	7 <sup>1</sup> / <sub>2</sub>	1 <sup>1</sup> / <sub>4</sub>	2	11	9 <sup>3</sup> / <sub>16</sub>	5 <sup>1</sup> / <sub>16</sub>	9 <sup>3</sup> / <sub>16</sub>	9 <sup>1</sup> / <sub>16</sub>	1 <sup>1</sup> / <sub>16</sub>	24 <sup>1</sup> / <sub>16</sub>	9	28 <sup>5</sup> / <sub>16</sub>	1 <sup>1</sup> / <sub>16</sub>	7 <sup>7</sup> / <sub>16</sub>	9 <sup>1</sup> / <sub>16</sub>	165/163	T80DH	68
80(100)AFP27.5	3	32 <sup>1</sup> / <sub>16</sub>	24	5 <sup>1</sup> / <sub>8</sub>	13 <sup>3</sup> / <sub>16</sub>	9 <sup>1</sup> / <sub>16</sub>	7 <sup>7</sup> / <sub>16</sub>	3 <sup>3</sup> / <sub>8</sub>	2 <sup>3</sup> / <sub>8</sub>	5 <sup>5</sup> / <sub>16</sub>	7 <sup>1</sup> / <sub>2</sub>	1 <sup>1</sup> / <sub>4</sub>	2	11	9 <sup>3</sup> / <sub>16</sub>	5 <sup>1</sup> / <sub>16</sub>	9 <sup>3</sup> / <sub>16</sub>	9 <sup>1</sup> / <sub>16</sub>	1 <sup>1</sup> / <sub>16</sub>	24 <sup>1</sup> / <sub>16</sub>	9	28 <sup>5</sup> / <sub>16</sub>	1 <sup>1</sup> / <sub>16</sub>	7 <sup>7</sup> / <sub>16</sub>	9 <sup>1</sup> / <sub>16</sub>	179/176	T80DH	68
80(100)AFP25.5	3	34	24	5 <sup>1</sup> / <sub>8</sub>	13 <sup>3</sup> / <sub>16</sub>	9 <sup>1</sup> / <sub>16</sub>	7 <sup>7</sup> / <sub>16</sub>	3 <sup>3</sup> / <sub>8</sub>	2 <sup>3</sup> / <sub>8</sub>	6 <sup>1</sup> / <sub>16</sub>	8 <sup>1</sup> / <sub>4</sub>	1 <sup>1</sup> / <sub>4</sub>	2	11 <sup>1</sup> / <sub>4</sub>	9 <sup>3</sup> / <sub>16</sub>	6 <sup>7</sup> / <sub>8</sub>	9 <sup>3</sup> / <sub>16</sub>	9 <sup>1</sup> / <sub>16</sub>	1 <sup>1</sup> / <sub>16</sub>	24 <sup>1</sup> / <sub>16</sub>	9	28 <sup>5</sup> / <sub>16</sub>	1 <sup>1</sup> / <sub>16</sub>	7 <sup>7</sup> / <sub>16</sub>	9 <sup>1</sup> / <sub>16</sub>	165/163	T100(80)BH	75
80(100)AFP27.5	3	34	24	5 <sup>1</sup> / <sub>8</sub>	13 <sup>3</sup> / <sub>16</sub>	9 <sup>1</sup> / <sub>16</sub>	7 <sup>7</sup> / <sub>16</sub>	3 <sup>3</sup> / <sub>8</sub>	2 <sup>3</sup> / <sub>8</sub>	6 <sup>1</sup> / <sub>16</sub>	8 <sup>1</sup> / <sub>4</sub>	1 <sup>1</sup> / <sub>4</sub>	2	11 <sup>1</sup> / <sub>4</sub>	9 <sup>3</sup> / <sub>16</sub>	6 <sup>7</sup> / <sub>8</sub>	9 <sup>3</sup> / <sub>16</sub>	9 <sup>1</sup> / <sub>16</sub>	1 <sup>1</sup> / <sub>16</sub>	24 <sup>1</sup> / <sub>16</sub>	9	28 <sup>5</sup> / <sub>16</sub>	1 <sup>1</sup> / <sub>16</sub>	7 <sup>7</sup> / <sub>16</sub>	9 <sup>1</sup> / <sub>16</sub>	179/176	T100(80)BH	75

C.W.L.:Continuous Running Water Level WT1:Pump Weight(Without Cable)  
L.W.L.:Lowest Running Water Level WT2:GRS Set Weight