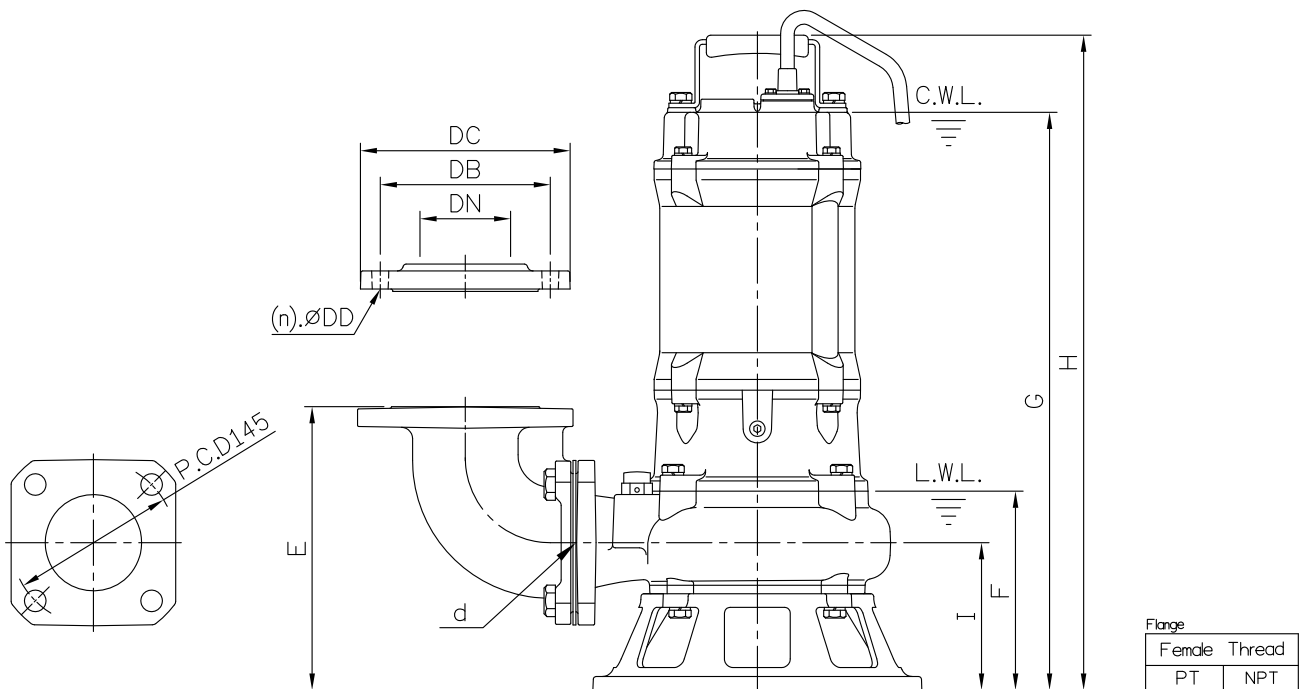
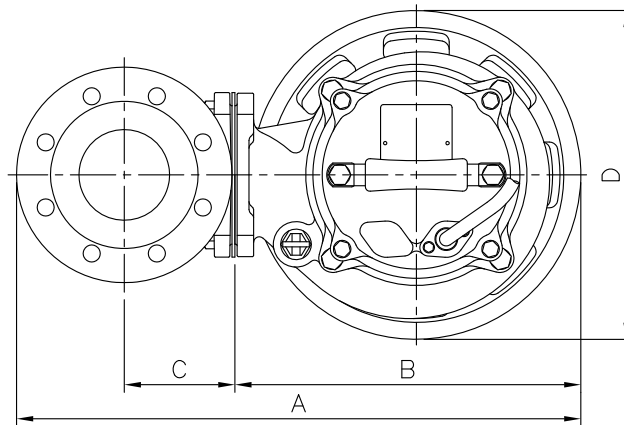


DIMENSIONS

No: S3AFP237A30-00

MODEL: 80AFP23.7A

30



Dimensions-mm

Weight:kg

Model	d	A	B	C	D	E	F	G	H	I	WT1	Elbow (Flange) Set	DN	DB	DC	DD	(n)QTY	WT2
80AFP23.7A	80	498	305	98	290	250	176	510	578	130	48	EB3-150A	80	150	185	15	8	12

Dimensions-inch

Weight:lb

Model	d	A	B	C	D	E	F	G	H	I	WT1	Elbow (Flange) Set	DN	DB	DC	DD	(n)QTY	WT2
80AFP23.7A	3	19 ⁷ / ₈	12	3 ⁷ / ₈	11 ¹ / ₄	9 ¹³ / ₁₆	6 ¹⁵ / ₁₆	20 ¹ / ₁₆	22 ³ / ₄	5 ¹ / ₈	106	EB3-150A	3	5 ⁷ / ₈	7 ⁵ / ₁₆	3	8	26

C.W.L.:Continuous Running Water Level WT1:Pump Weight(Without Cable)
 L.W.L.:Lowest Running Water Level WT2:Elbow Set Weight