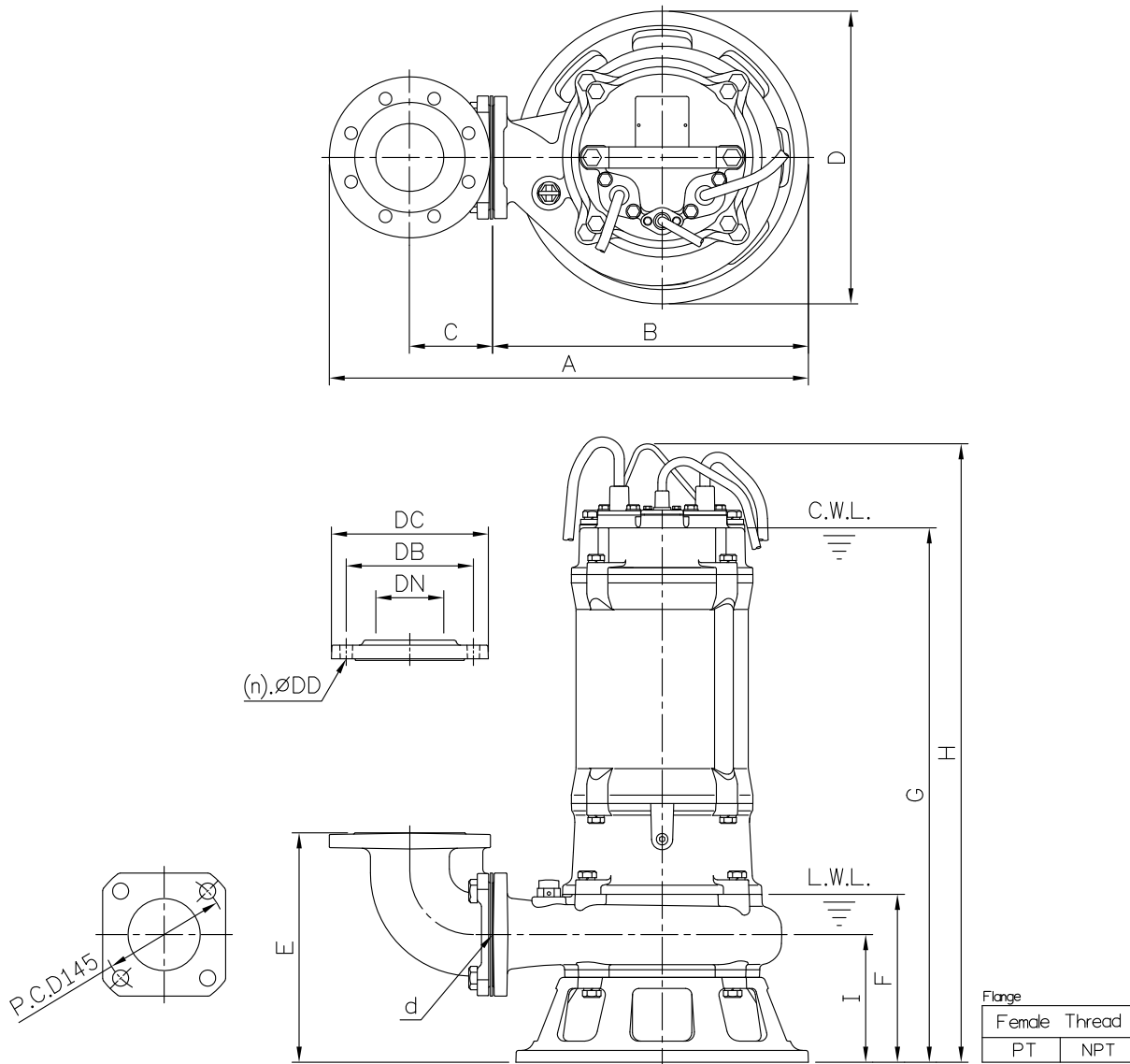


**DIMENSIONS**

**No: S3AFP2A1030-00**

**MODEL: 80(100)AFP211**

**3Ø**



Dimensions—mm

Weight:Kg

Model	d	A	B	C	D	E	F	G	H	I	WT1 50Hz/60Hz	Elbow (Flange) Set	DN	DB	DC	DD	(n)QTY	WT2
80(100)AFP211	80	565	373	98	345	270	198	630	729	151	91/90	EB3-150A	80	150	185	15	8	12
80(100)AFP211	80	596	373	113	345	282	198	630	729	151	91/90	EB4-175(145)	100	175	210	15	8	14

Dimensions—inch

Weight:Lbs

Model	d	A	B	C	D	E	F	G	H	I	WT1 50Hz/60Hz	Elbow (Flange) Set	DN	DB	DC	DD	(n)QTY	WT2
80(100)AFP211	3	22 <sup>3</sup> / <sub>4</sub>	14 <sup>1</sup> / <sub>8</sub>	3 <sup>7</sup> / <sub>8</sub>	13 <sup>3</sup> / <sub>8</sub>	10 <sup>5</sup> / <sub>8</sub>	7 <sup>3</sup> / <sub>8</sub>	24 <sup>3</sup> / <sub>8</sub>	28 <sup>1</sup> / <sub>8</sub>	5 <sup>5</sup> / <sub>8</sub>	201/198	EB3-150A	3	5 <sup>5</sup> / <sub>8</sub>	7 <sup>5</sup> / <sub>8</sub>	3	8	26
80(100)AFP211	3	23 <sup>3</sup> / <sub>8</sub>	14 <sup>1</sup> / <sub>8</sub>	4 <sup>1</sup> / <sub>8</sub>	13 <sup>3</sup> / <sub>8</sub>	11 <sup>1</sup> / <sub>8</sub>	7 <sup>3</sup> / <sub>8</sub>	24 <sup>3</sup> / <sub>8</sub>	28 <sup>1</sup> / <sub>8</sub>	5 <sup>5</sup> / <sub>8</sub>	201/198	EB4-175(145)	4	6 <sup>5</sup> / <sub>8</sub>	8 <sup>5</sup> / <sub>8</sub>	3	8	30

C.W.L.:Continuous Running Water Level WT1:Pump Weight(Without Cable)  
L.W.L.:Lowest Running Water Level WT2:Elbow Set Weight