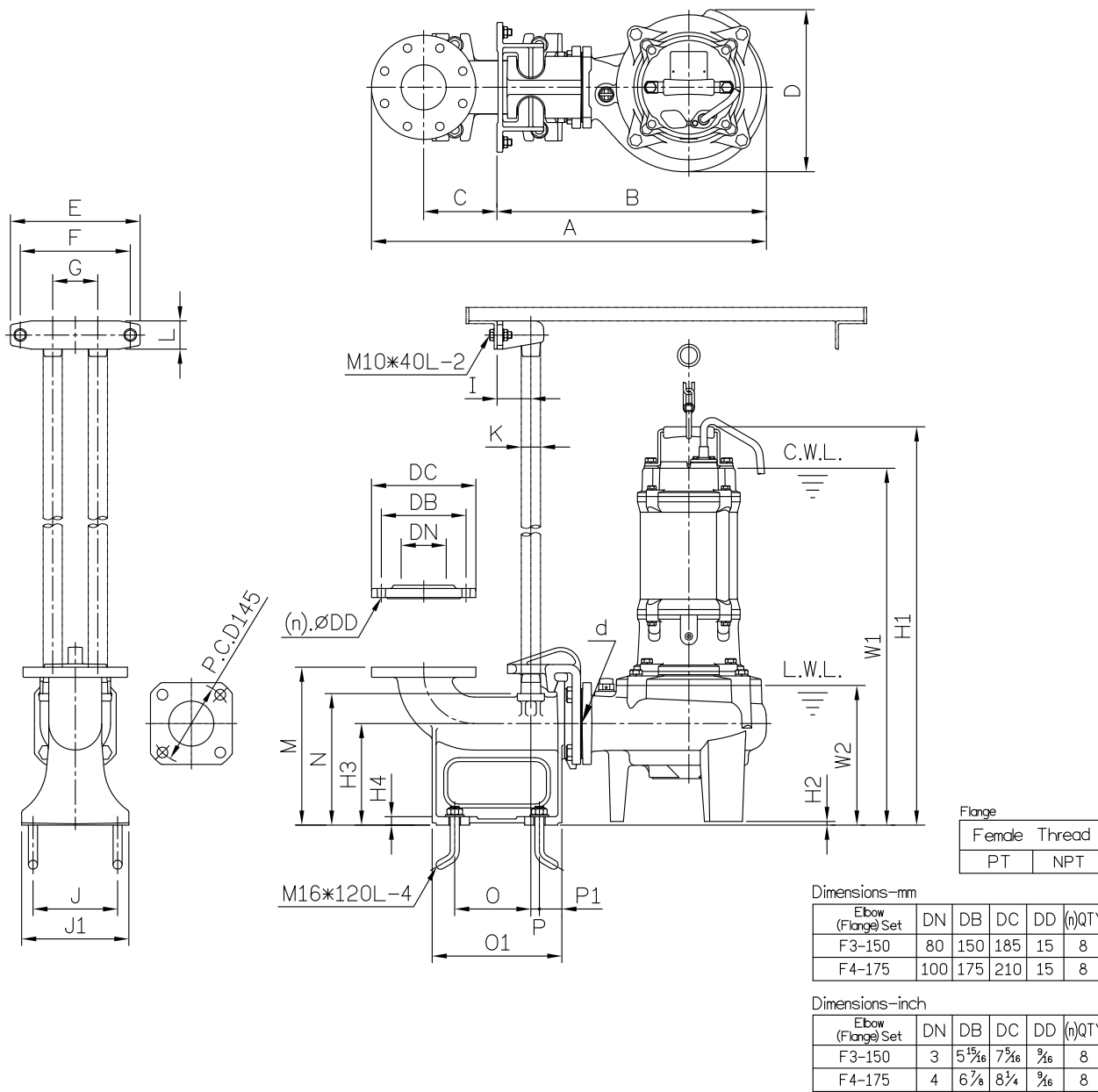


DIMENSIONS

No: S3AFE43703T-00

MODEL: 80(100)AFE43.7

3Ø



Dimensions-mm

Model	d	A	B	C	D	E	F	G	I	J	J1	K	L	M	N	O	O1	P	P1	W1	W2	H1	H2	H3	H4	WT1	Weight:Kg	
																											GRS Set	WT2
80(100)AFE43.7_50Hz	80	721	499	130	304	230	195	80	60	150	190	1 1/4	50	280	233	135	230	15	40	633	248	706	7	180	15	71	T80D	27
80(100)AFE43.7_60Hz	80	703	481	130	287	230	195	80	60	150	190	1 1/4	50	280	233	135	230	15	40	633	248	706	7	180	15	68	T80D	27
80(100)AFE43.7_50Hz	80	753	499	150	304	230	195	80	60	170	210	1 1/4	50	285	233	155	250	15	40	633	248	706	7	180	15	71	T100(80)B	30
80(100)AFE43.7_60Hz	80	735	481	150	287	230	195	80	60	170	210	1 1/4	50	285	233	155	250	15	40	633	248	706	7	180	15	68	T100(80)B	30

Dimensions-inch

Model	d	A	B	C	D	E	F	G	I	J	J1	K	L	M	N	O	O1	P	P1	W1	W2	H1	H2	H3	H4	WT1	Weight:Lbs	
																											GRS Set	WT2
80(100)AFE43.7_50Hz	3	28 3/8	19 5/8	5 1/8	11 15/16	9 1/8	7 1/8	3 1/8	2 3/8	5 15/16	7 1/2	1 1/4	2	11	9 3/8	5 1/8	9 1/8	1 1/8	24 15/16	9 3/4	27 3/8	1/4	7 1/8	1/8	157	T80D	59	
80(100)AFE43.7_60Hz	3	27 3/8	18 15/16	5 1/8	11 15/16	9 1/8	7 1/8	3 3/8	2 3/8	5 15/16	7 1/2	1 1/4	2	11	9 3/8	5 1/8	9 1/8	1 1/8	24 15/16	9 3/4	27 3/8	1/4	7 1/8	1/8	150	T80D	59	
80(100)AFE43.7_50Hz	3	29 3/8	19 3/8	5 3/8	11 3/8	9 3/8	7 3/8	3 3/8	2 3/8	6 1/8	8 1/4	1 1/4	2	11 1/4	9 3/8	6 1/8	9 3/8	1 1/8	24 15/16	9 3/4	27 3/8	1/4	7 1/8	1/8	157	T100(80)B	67	
80(100)AFE43.7_60Hz	3	28 15/16	18 15/16	5 1/8	11 15/16	9 1/8	7 1/8	3 3/8	2 3/8	6 1/8	8 1/4	1 1/4	2	11 1/4	9 3/8	6 1/8	9 3/8	1 1/8	24 15/16	9 3/4	27 3/8	1/4	7 1/8	1/8	150	T100(80)B	67	

C.W.L.:Continuous Running Water Level WT1:Pump Weight(Without Cable)
 L.W.L.:Lowest Running Water Level WT2:GRS Set Weight