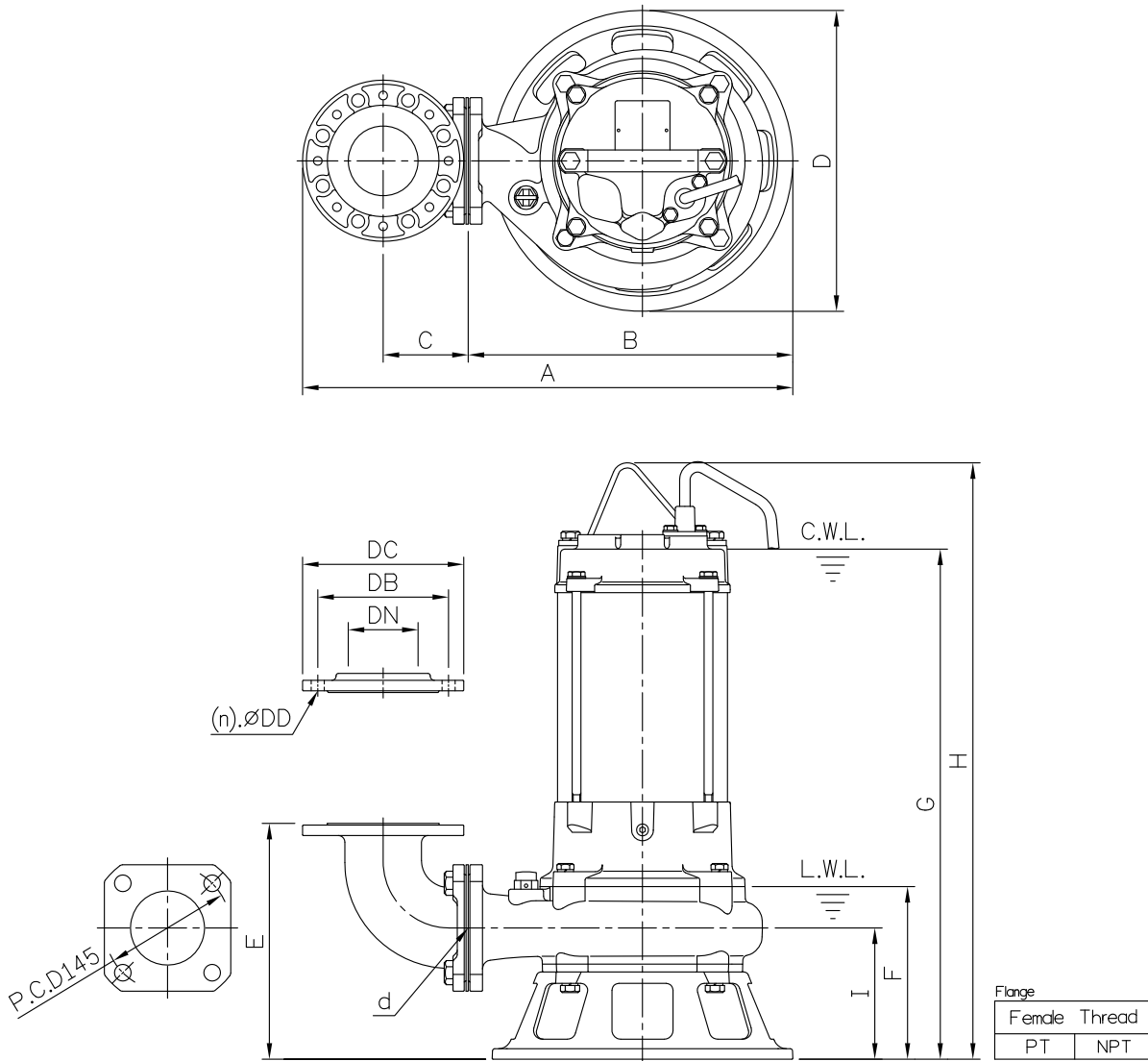


**DIMENSIONS**

**No: S3SFP275030-00**

**MODEL: 80(100)SFP25.5 & 80(100)SFP27.5**

**30**



Dimensions—mm

Weight:Kg

Model	d	A	B	C	D	E	F	G	H	I	WT1 50Hz/60Hz	Elbow (Flange) Set	DN	DB	DC	DD	(n)QTY	WT2
80(100)SFP25.5	80	563	373	98	345	271	198	585	684	151	67/66	ESB3-150K	80	150	185	15	8	7
80(100)SFP27.5	80	563	373	98	345	271	198	585	684	151	73/72	ESB3-150K	80	150	185	15	8	7
80(100)SFP25.5	80	591	373	113	345	276	198	585	684	151	67/66	ESB4-175(145)K	100	175	210	15	8	10
80(100)SFP27.5	80	591	373	113	345	276	198	585	684	151	73/72	ESB4-175(145)K	100	175	210	15	8	10

Dimensions—inch

Weight:Lbs

Model	d	A	B	C	D	E	F	G	H	I	WT1 50Hz/60Hz	Elbow (Flange) Set	DN	DB	DC	DD	(n)QTY	WT2
80(100)SFP25.5	3	22 <sup>3</sup> / <sub>16</sub>	14 <sup>1</sup> / <sub>16</sub>	3 <sup>7</sup> / <sub>16</sub>	13 <sup>3</sup> / <sub>16</sub>	10 <sup>1</sup> / <sub>16</sub>	7 <sup>1</sup> / <sub>16</sub>	23 <sup>3</sup> / <sub>16</sub>	26 <sup>5</sup> / <sub>16</sub>	5 <sup>1</sup> / <sub>16</sub>	148/146	ESB3-150K	3	5 <sup>5</sup> / <sub>16</sub>	7 <sup>5</sup> / <sub>16</sub>	9 <sup>1</sup> / <sub>16</sub>	8	16
80(100)SFP27.5	3	22 <sup>3</sup> / <sub>16</sub>	14 <sup>1</sup> / <sub>16</sub>	3 <sup>7</sup> / <sub>16</sub>	13 <sup>3</sup> / <sub>16</sub>	10 <sup>1</sup> / <sub>16</sub>	7 <sup>1</sup> / <sub>16</sub>	23 <sup>3</sup> / <sub>16</sub>	26 <sup>5</sup> / <sub>16</sub>	5 <sup>1</sup> / <sub>16</sub>	161/159	ESB3-150K	3	5 <sup>5</sup> / <sub>16</sub>	7 <sup>5</sup> / <sub>16</sub>	9 <sup>1</sup> / <sub>16</sub>	8	16
80(100)SFP25.5	3	23 <sup>3</sup> / <sub>4</sub>	14 <sup>1</sup> / <sub>16</sub>	4 <sup>1</sup> / <sub>16</sub>	13 <sup>3</sup> / <sub>16</sub>	10 <sup>7</sup> / <sub>16</sub>	7 <sup>1</sup> / <sub>16</sub>	23 <sup>3</sup> / <sub>16</sub>	26 <sup>5</sup> / <sub>16</sub>	5 <sup>1</sup> / <sub>16</sub>	148/146	ESB4-175(145)K	4	6 <sup>7</sup> / <sub>16</sub>	8 <sup>3</sup> / <sub>16</sub>	9 <sup>1</sup> / <sub>16</sub>	8	21
80(100)SFP27.5	3	23 <sup>3</sup> / <sub>4</sub>	14 <sup>1</sup> / <sub>16</sub>	4 <sup>1</sup> / <sub>16</sub>	13 <sup>3</sup> / <sub>16</sub>	10 <sup>7</sup> / <sub>16</sub>	7 <sup>1</sup> / <sub>16</sub>	23 <sup>3</sup> / <sub>16</sub>	26 <sup>5</sup> / <sub>16</sub>	5 <sup>1</sup> / <sub>16</sub>	161/159	ESB4-175(145)K	4	6 <sup>7</sup> / <sub>16</sub>	8 <sup>3</sup> / <sub>16</sub>	9 <sup>1</sup> / <sub>16</sub>	8	21

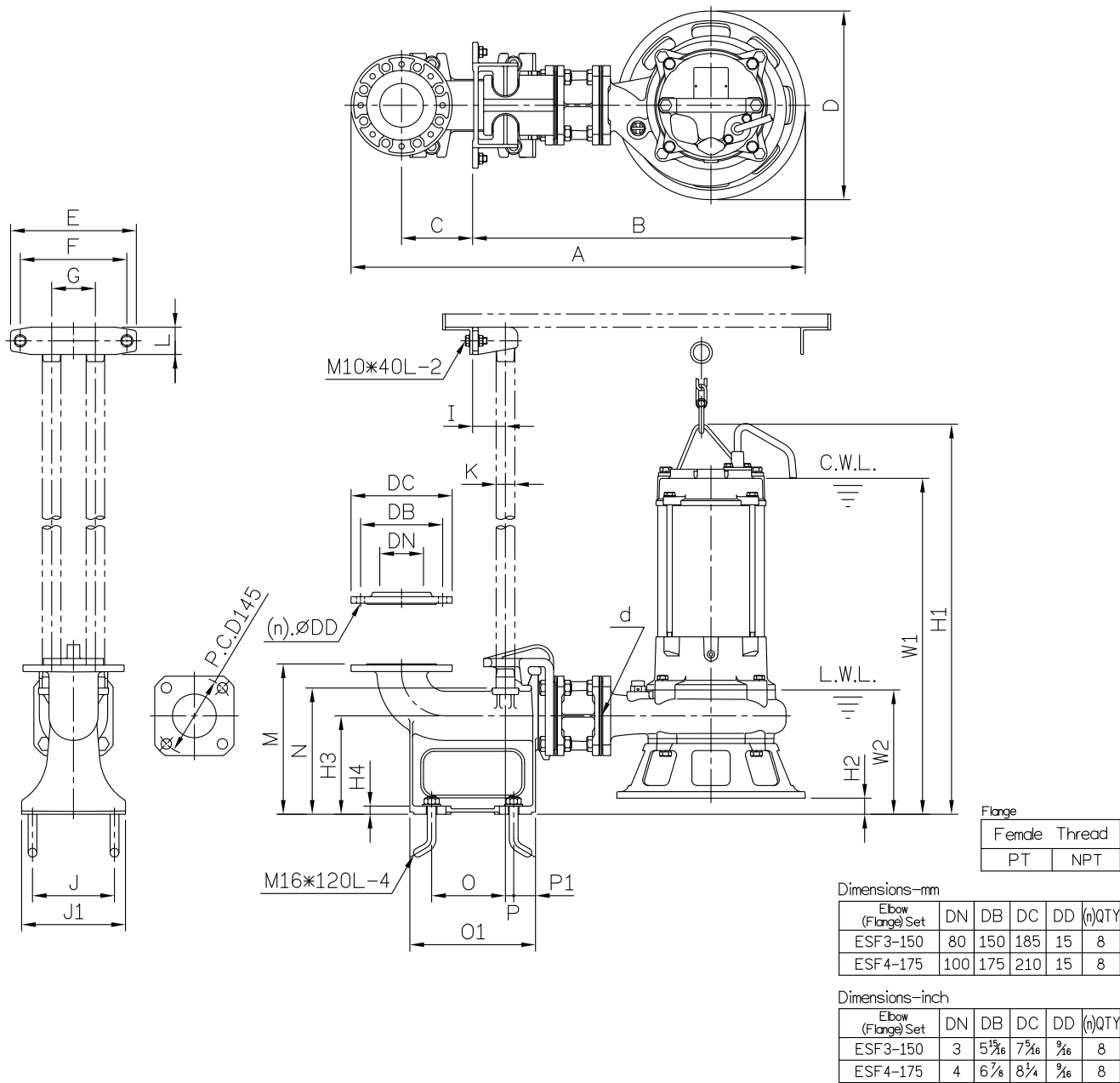
C.W.L.:Continuous Running Water Level WT1:Pump Weight(Without Cable)  
L.W.L.:Lowest Running Water Level WT2:Elbow Set Weight

**DIMENSIONS**

**No: S3SFP27503T-00**

**MODEL: 80(100)SFP25.5 & 80(100)SFP27.5**

**30**



Dimensions-mm

Weight:Kg

Model	d	A	B	C	D	E	F	G	I	J	J1	K	L	M	N	O	O1	P	P1	W1	W2	H1	H2	H3	H4	WT1 50Hz/60Hz	GRS Set	WT2
80(100)SFP25.5	80	832	609	130	345	230	195	80	60	150	190	1 1/4	50	275	231	135	230	15	40	615	228	714	30	180	15	67/66	ST80DH	25
80(100)SFP27.5	80	832	609	130	345	230	195	80	60	150	190	1 1/4	50	275	231	135	230	15	40	615	228	714	30	180	15	73/72	ST80DH	25
80(100)SFP25.5	80	864	609	150	345	230	195	80	60	170	210	1 1/4	50	285	231	155	250	15	40	615	228	714	30	180	15	67/66	ST100(80)BH	28
80(100)SFP27.5	80	864	609	150	345	230	195	80	60	170	210	1 1/4	50	285	231	155	250	15	40	615	228	714	30	180	15	73/72	ST100(80)BH	28

Dimensions-inch

Weight:Lbs

Model	d	A	B	C	D	E	F	G	I	J	J1	K	L	M	N	O	O1	P	P1	W1	W2	H1	H2	H3	H4	WT1 50Hz/60Hz	GRS Set	WT2
80(100)SFP25.5	3	32 3/4	24	5 1/8	13 3/16	9 1/8	7 1/8	3 1/8	2 3/8	5 7/8	7 1/2	1 1/4	2	10 3/8	9 1/8	5 1/8	9 1/8	5/16	1 1/8	24 3/8	9	28 1/8	1 3/8	7 1/8	9/16	148/146	ST80DH	55
80(100)SFP27.5	3	32 3/4	24	5 1/8	13 3/16	9 1/8	7 1/8	3 1/8	2 3/8	5 7/8	7 1/2	1 1/4	2	10 3/8	9 1/8	5 1/8	9 1/8	5/16	1 1/8	24 3/8	9	28 1/8	1 3/8	7 1/8	9/16	161/159	ST80DH	55
80(100)SFP25.5	3	34	24	5 15/16	13 3/16	9 1/8	7 1/8	3 3/8	2 3/8	6 1/8	8 3/4	1 1/4	2	11 1/4	9 1/8	6 1/8	9 13/16	5/16	1 1/8	24 3/8	9	28 1/8	1 3/8	7 1/8	9/16	148/146	ST100(80)BH	62
80(100)SFP27.5	3	34	24	5 15/16	13 3/16	9 1/8	7 1/8	3 3/8	2 3/8	6 1/8	8 3/4	1 1/4	2	11 1/4	9 1/8	6 1/8	9 13/16	5/16	1 1/8	24 3/8	9	28 1/8	1 3/8	7 1/8	9/16	161/159	ST100(80)BH	62

C.W.L.:Continuous Running Water Level WT1:Pump Weight(Without Cable)  
L.W.L.:Lowest Running Water Level WT2:GRS Set Weight