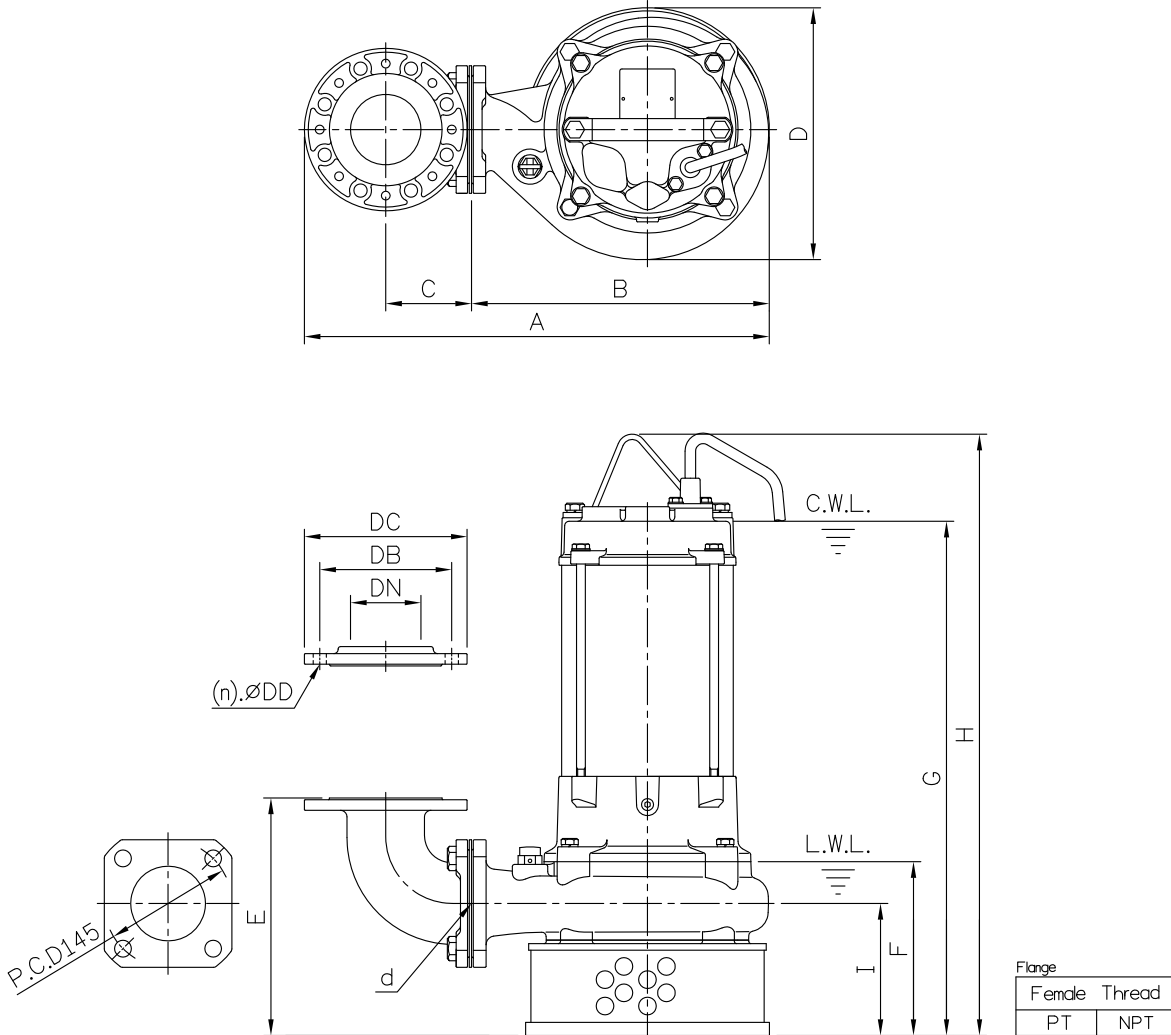


DIMENSIONS

No: S3SA0275030-00

MODEL: 80(100)SA25.5 & 80(100)SA27.5

30



Dimensions—mm

Weight:kg

Model	d	A	B	C	D	E	F	G	H	I	WT1 50Hz/60Hz	Elbow (Flange) Set	DN	DB	DC	DD	(n)QTY	WT2
80(100)SA25.5	80	528	338	98	286	271	198	585	684	151	67/66	ESB3-150K	80	150	185	15	8	7
80(100)SA27.5	80	528	338	98	286	271	198	585	684	151	73/72	ESB3-150K	80	150	185	15	8	7
80(100)SA25.5	80	556	338	113	286	276	198	585	684	151	67/66	ESB4-175(145)K	100	175	210	15	8	10
80(100)SA27.5	80	556	338	113	286	276	198	585	684	151	73/72	ESB4-175(145)K	100	175	210	15	8	10

Dimensions—inch

Weight:lb

Model	d	A	B	C	D	E	F	G	H	I	WT1 50Hz/60Hz	Elbow (Flange) Set	DN	DB	DC	DD	(n)QTY	WT2
80(100)SA25.5	3	20 ⁷ / ₁₆	13 ³ / ₁₆	3 ⁷ / ₁₆	11 ³ / ₄	10 ¹¹ / ₁₆	7 ⁹ / ₁₆	23 ¹ / ₁₆	26 ⁵ / ₁₆	5 ¹⁵ / ₁₆	148/146	ESB3-150K	3	5 ¹ / ₁₆	7 ⁵ / ₁₆	9 ¹ / ₁₆	8	16
80(100)SA27.5	3	20 ⁷ / ₁₆	13 ³ / ₁₆	3 ⁷ / ₁₆	11 ³ / ₄	10 ¹¹ / ₁₆	7 ⁹ / ₁₆	23 ¹ / ₁₆	26 ⁵ / ₁₆	5 ¹⁵ / ₁₆	161/159	ESB3-150K	3	5 ¹ / ₁₆	7 ⁵ / ₁₆	9 ¹ / ₁₆	8	16
80(100)SA25.5	3	21 ¹ / ₈	13 ⁵ / ₁₆	4 ¹ / ₁₆	11 ³ / ₄	10 ¹ / ₈	7 ⁹ / ₁₆	23 ¹ / ₁₆	26 ⁵ / ₁₆	5 ¹⁵ / ₁₆	148/146	ESB4-175(145)K	4	6 ⁷ / ₁₆	8 ³ / ₄	9 ¹ / ₁₆	8	21
80(100)SA27.5	3	21 ¹ / ₈	13 ⁵ / ₁₆	4 ¹ / ₁₆	11 ³ / ₄	10 ¹ / ₈	7 ⁹ / ₁₆	23 ¹ / ₁₆	26 ⁵ / ₁₆	5 ¹⁵ / ₁₆	161/159	ESB4-175(145)K	4	6 ⁷ / ₁₆	8 ³ / ₄	9 ¹ / ₁₆	8	21

C.W.L.:Continuous Running Water Level WT1:Pump Weight(Without Cable)
L.W.L.:Lowest Running Water Level WT2:Elbow Set Weight

