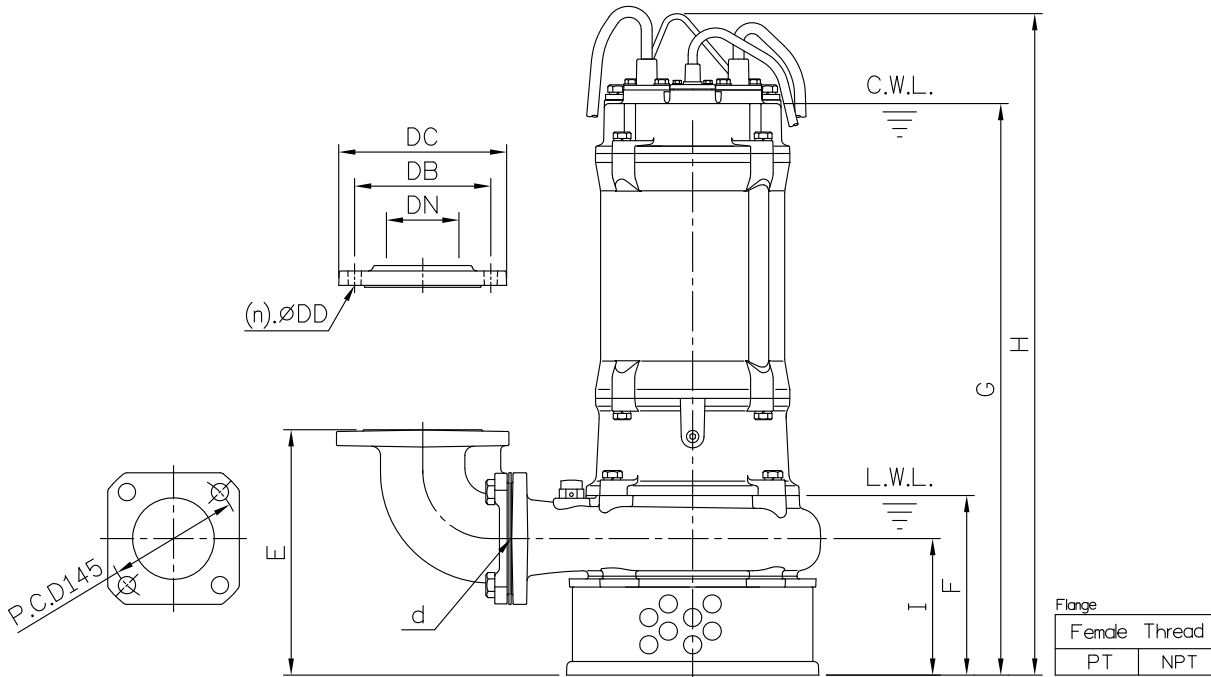
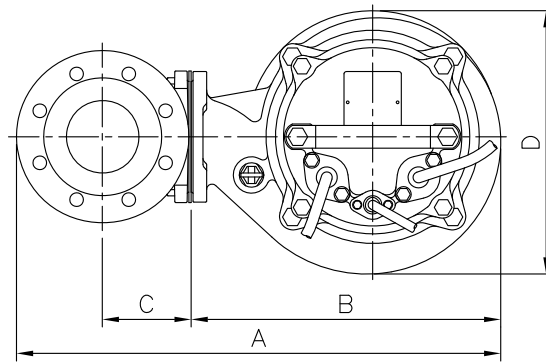


DIMENSIONS

No: S3AL02A1030-00

MODEL: 80(100)AL211

3Ø



Dimensions—mm

Weight:Kg

Model	d	A	B	C	D	E	F	G	H	I	WT1 50Hz/60Hz	Elbow (Flange) Set	DN	DB	DC	DD	(n)QTY	WT2
80(100)AL211	80	534	342	98	290	271	198	630	729	151	91/90	EB3-150A	80	150	185	15	8	12
80(100)AL211	80	565	342	113	290	282	198	630	729	151	91/90	EB4-175(145)	100	175	210	15	8	14

Dimensions—inch

Weight:Lbs

Model	d	A	B	C	D	E	F	G	H	I	WT1 50Hz/60Hz	Elbow (Flange) Set	DN	DB	DC	DD	(n)QTY	WT2
80(100)AL211	3	21	13 ⁷ / ₁₆	3 ⁷ / ₈	11 ⁷ / ₁₆	10 ¹¹ / ₁₆	7 ³ / ₈	24 ¹³ / ₁₆	28 ¹¹ / ₁₆	5 ¹⁵ / ₁₆	201/198	EB3-150A	3	5 ⁷ / ₈	7 ⁵ / ₁₆	⁹ / ₁₆	8	26
80(100)AL211	3	22 ³ / ₄	13 ¹ / ₁₆	4 ¹ / ₈	11 ⁷ / ₁₆	11 ¹ / ₈	7 ³ / ₈	24 ¹³ / ₁₆	28 ¹¹ / ₁₆	5 ¹⁵ / ₁₆	201/198	EB4-175(145)	4	6 ⁷ / ₈	8 ¹ / ₄	⁹ / ₁₆	8	30

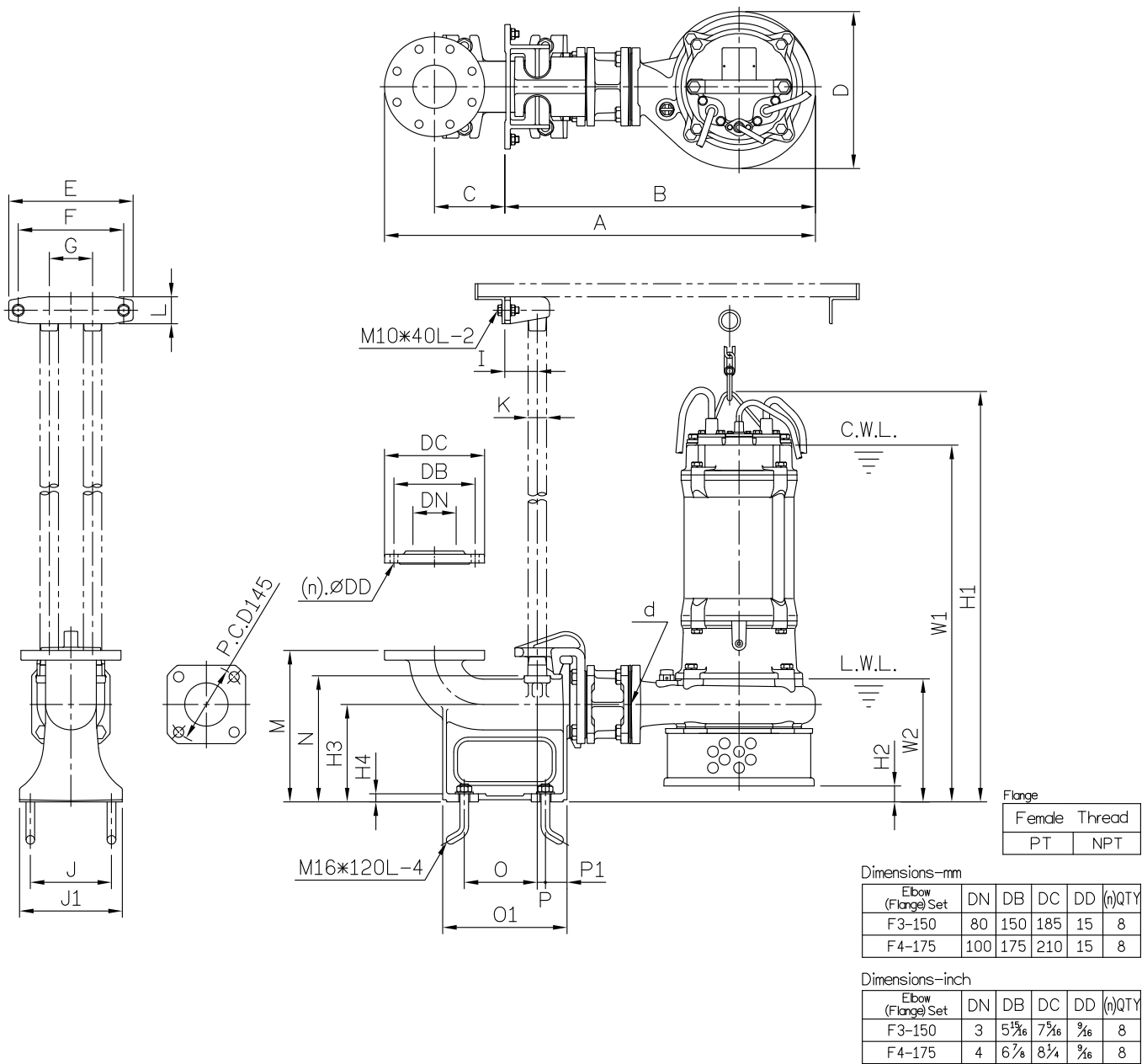
C.W.L.:Continuous Running Water Level WT1:Pump Weight(Without Cable)
L.W.L.:Lowest Running Water Level WT2:Elbow Set Weight

DIMENSIONS

No: S3AL02A103T-00

MODEL: 80(100)AL211

3Ø



Dimensions—mm

Model	d	A	B	C	D	E	F	G	I	J	J1	K	L	M	N	O	O1	P	P1	W1	W2	H1	H2	H3	H4	WT1 50Hz/60Hz	GRS Set	WT2
80(100)AL211	80	797	574	130	290	230	195	80	60	150	190	1 ¹ / ₄	50	280	233	135	230	15	40	660	228	759	30	180	15	91/90	T80DH	31
80(100)AL211	80	829	574	150	290	230	195	80	60	170	210	1 ¹ / ₄	50	285	233	155	250	15	40	660	228	759	30	180	15	91/90	T100(80)BH	34

Weight:kg

Dimensions—inch

Model	d	A	B	C	D	E	F	G	I	J	J1	K	L	M	N	O	O1	P	P1	W1	W2	H1	H2	H3	H4	WT1 50Hz/60Hz	GRS Set	WT2
80(100)AL211	3	31 ³ / ₈	22 ³ / ₈	5 ¹ / ₈	11 ⁷ / ₁₆	9 ¹ / ₈	7 ⁷ / ₁₆	3 ¹ / ₈	2 ³ / ₈	5 ⁵ / ₁₆	7 ¹ / ₂	1 ¹ / ₄	2	11	9 ³ / ₁₆	5 ⁵ / ₁₆	9 ¹ / ₁₆	⁹ / ₁₆	1 ¹ / ₁₆	26	9	29 ³ / ₈	1 ¹ / ₈	7 ⁷ / ₁₆	⁹ / ₁₆	201/198	T80DH	68
80(100)AL211	3	32 ³ / ₈	22 ³ / ₈	5 ¹⁵ / ₁₆	11 ⁷ / ₁₆	9 ¹ / ₈	7 ⁷ / ₁₆	3 ¹ / ₈	2 ³ / ₈	6 ¹ / ₁₆	8 ³ / ₄	1 ¹ / ₄	2	11 ¹ / ₄	9 ³ / ₁₆	6 ³ / ₈	9 ³ / ₁₆	⁹ / ₁₆	1 ¹ / ₁₆	26	9	29 ³ / ₈	1 ¹ / ₈	7 ⁷ / ₁₆	⁹ / ₁₆	201/198	T100(80)BH	75

Weight:lb

C.W.L.:Continuous Running Water Level WT1:Pump Weight(Without Cable)
L.W.L.:Lowest Running Water Level WT2:GRS Set Weight