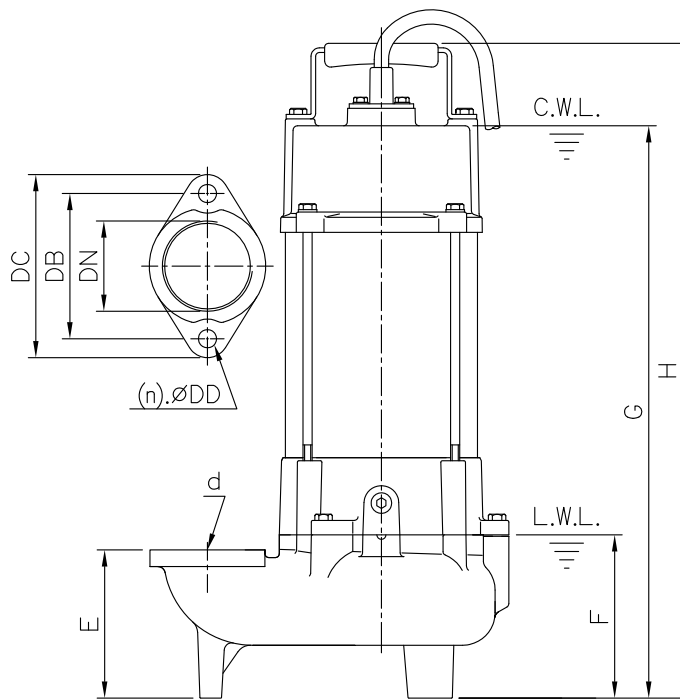
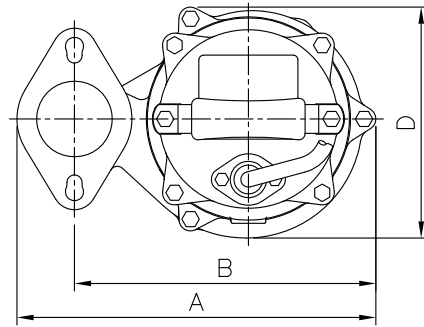


DIMENSIONS

No: S2SFU208A30-00

MODEL: 50SFU2.4A(SF-05AU) & 50SFU2.8A(SF-21AU)

1Ø & 3Ø



Flange	
Female Thread	
PF	NPT

Dimensions--mm

Weight:kg

Model	d	A	B	D	E	F	G	H	WT1	Elbow (Flange) Set	DN	DB	DC	DD	(n)QTY	WT2	
50SFU2.4A(SF-05AU)	1Ø	50	237	199	153	98	108	379	433	15	ESF2-96K	50	96	121	12	2	1
50SFU2.8A(SF-21AU)	1Ø	50	237	199	153	98	108	379	433	16	ESF2-96K	50	96	121	12	2	1
50SFU2.4A(SF-05AU)	3Ø	50	237	199	153	98	108	379	433	14	ESF2-96K	50	96	121	12	2	1
50SFU2.8A(SF-21AU)	3Ø	50	237	199	153	98	108	379	433	15	ESF2-96K	50	96	121	12	2	1

Dimensions--inch

Weight:lb

Model	d	A	B	D	E	F	G	H	WT1	Elbow (Flange) Set	DN	DB	DC	DD	(n)QTY	WT2	
50SFU2.4A(SF-05AU)	1Ø	2	9 ⁵ / ₁₆	7 ¹³ / ₁₆	6	3 ⁷ / ₈	4 ¹ / ₄	14 ¹⁵ / ₁₆	17 ¹ / ₁₆	33	ESF2-96K	2	3 ³ / ₄	4 ³ / ₄	½	2	1
50SFU2.8A(SF-21AU)	1Ø	2	9 ⁵ / ₁₆	7 ¹³ / ₁₆	6	3 ⁷ / ₈	4 ¹ / ₄	14 ¹⁵ / ₁₆	17 ¹ / ₁₆	35	ESF2-96K	2	3 ³ / ₄	4 ³ / ₄	½	2	1
50SFU2.4A(SF-05AU)	3Ø	2	9 ⁵ / ₁₆	7 ¹³ / ₁₆	6	3 ⁷ / ₈	4 ¹ / ₄	14 ¹⁵ / ₁₆	17 ¹ / ₁₆	31	ESF2-96K	2	3 ³ / ₄	4 ³ / ₄	½	2	1
50SFU2.8A(SF-21AU)	3Ø	2	9 ⁵ / ₁₆	7 ¹³ / ₁₆	6	3 ⁷ / ₈	4 ¹ / ₄	14 ¹⁵ / ₁₆	17 ¹ / ₁₆	33	ESF2-96K	2	3 ³ / ₄	4 ³ / ₄	½	2	1

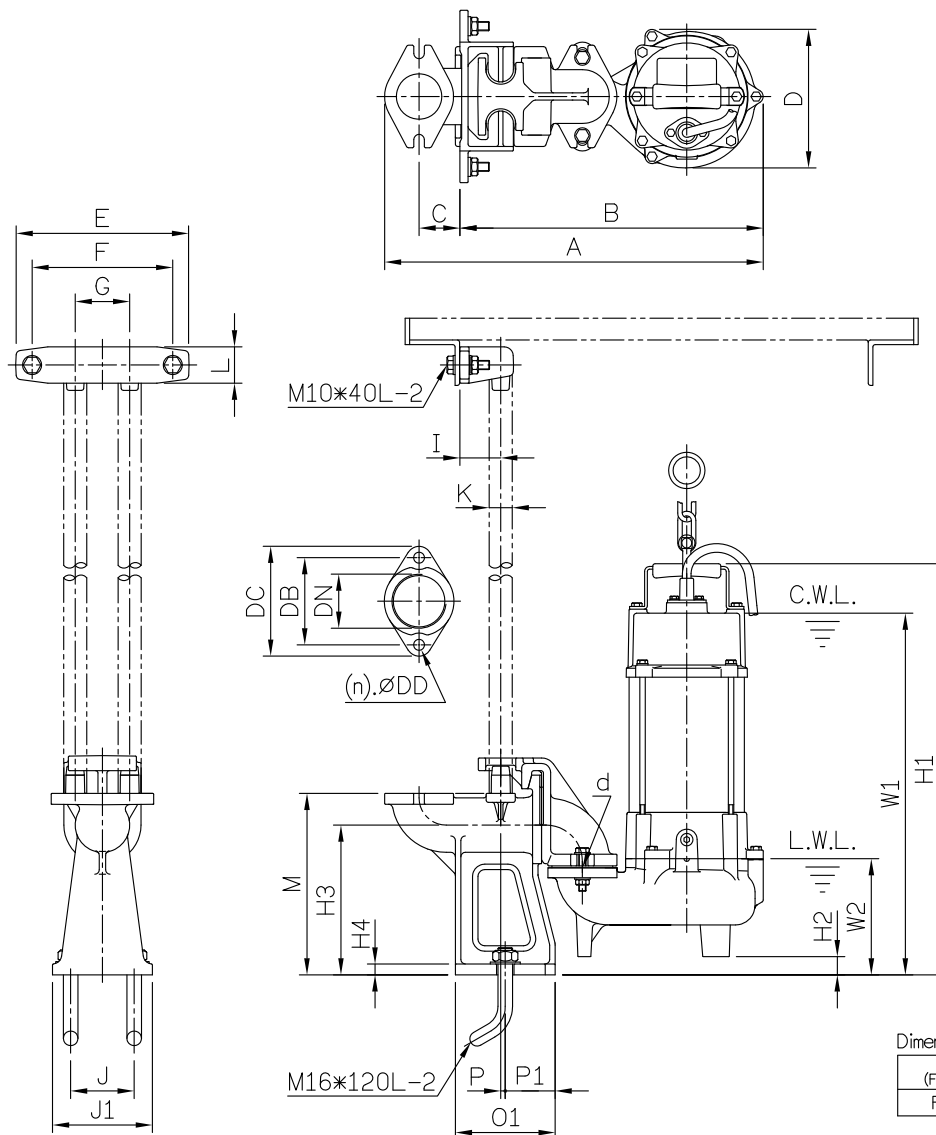
C.W.L.:Continuous Running Water Level WT1:Pump Weight(Without Cable)
 L.W.L.:Lowest Running Water Level WT2:Elbow Set Weight

DIMENSIONS

No: S2SFU208A3T-00

MODEL: 50SFU2.4A(SF-05AU) & 50SFU2.8A(SF-21AU)

1Ø & 3Ø



Flange	
Female	Thread
PF	NPT

Dimensions-mm

Elbow (Flange) Set	DN	DB	DC	DD	(n)QTY
F2-96	50	96	121	12	2

Dimensions-inch

Elbow (Flange) Set	DN	DB	DC	DD	(n)QTY
F2-96	2	3 3/4	4 3/4	1/2	2

Dimensions-mm

Weight:kg

Model	d	A	B	C	D	E	F	G	I	J	J1	K	L	M	O1	P	P1	W1	W2	H1	H2	H3	H4	WT1	GRS Set	WT2	
50SFU2.4A(SF-05AU) 1Ø	50	417	334	45	153	190	155	60	45	70	110	3/4"	40	200	110	5	55	399	128	453	20	165	12	15	15	ST2-50	9
50SFU2.8A(SF-21AU) 1Ø	50	417	334	45	153	190	155	60	45	70	110	3/4"	40	200	110	5	55	399	128	453	20	165	12	16	16	ST2-50	9
50SFU2.4A(SF-05AU) 3Ø	50	417	334	45	153	190	155	60	45	70	110	3/4"	40	200	110	5	55	399	128	453	20	165	12	14	14	ST2-50	9
50SFU2.8A(SF-21AU) 3Ø	50	417	334	45	153	190	155	60	45	70	110	3/4"	40	200	110	5	55	399	128	453	20	165	12	15	15	ST2-50	9

Dimensions-inch

Weight:lb

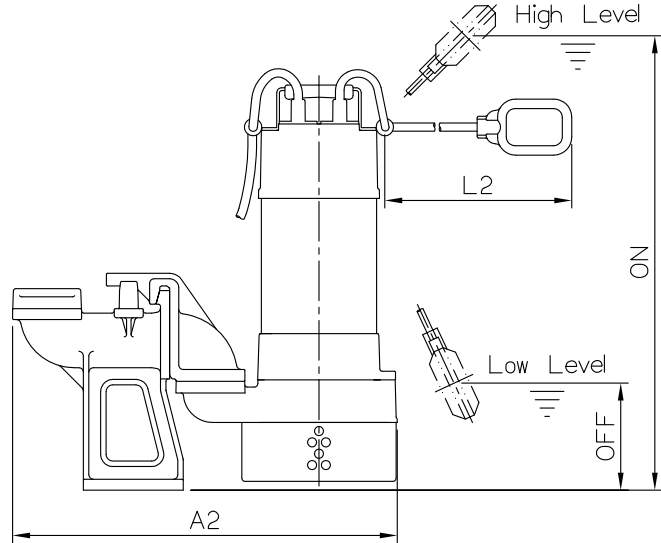
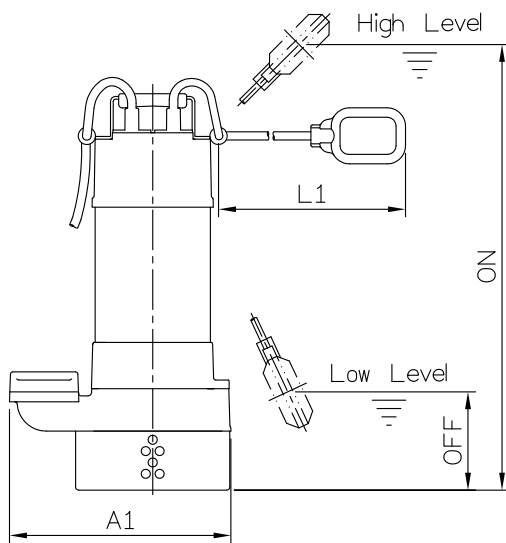
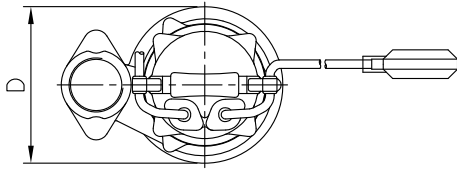
Model	d	A	B	C	D	E	F	G	I	J	J1	K	L	M	O1	P	P1	W1	W2	H1	H2	H3	H4	WT1	GRS Set	WT2
50SFU2.4A(SF-05AU) 1Ø	2	16 7/16	13 1/8	1 3/4	6	7 1/2	6 1/8	2 3/8	1 3/4	2 3/4	4 5/16	3/4	1 1/16	7 15/16	4 5/16	3/16	2 3/16	15 11/16	5 1/16	17 3/16	1 1/16	6 1/2	1/2	33	ST2-50	20
50SFU2.8A(SF-21AU) 1Ø	2	16 7/16	13 1/8	1 3/4	6	7 1/2	6 1/8	2 3/8	1 3/4	2 3/4	4 5/16	3/4	1 1/16	7 15/16	4 5/16	3/16	2 3/16	15 11/16	5 1/16	17 3/16	1 1/16	6 1/2	1/2	35	ST2-50	20
50SFU2.4A(SF-05AU) 3Ø	2	16 7/16	13 1/8	1 3/4	6	7 1/2	6 1/8	2 3/8	1 3/4	2 3/4	4 5/16	3/4	1 1/16	7 15/16	4 5/16	3/16	2 3/16	15 11/16	5 1/16	17 3/16	1 1/16	6 1/2	1/2	31	ST2-50	20
50SFU2.8A(SF-21AU) 3Ø	2	16 7/16	13 1/8	1 3/4	6	7 1/2	6 1/8	2 3/8	1 3/4	2 3/4	4 5/16	3/4	1 1/16	7 15/16	4 5/16	3/16	2 3/16	15 11/16	5 1/16	17 3/16	1 1/16	6 1/2	1/2	33	ST2-50	20

C.W.L.:Continuous Running Water Level WT1:Pump Weight(Without Cable)
 L.W.L.:Lowest Running Water Level WT2:GRS Set Weight

DIMENSIONS

No: SOSF00000F-00

Float Switch Pumps Model



Model	Pump Only												With GRS										
	Dimensions-mm					Weight-kg		Dimensions-inch					Weight-lb		Dimensions-mm				Dimensions-inch				
	A1	D	L1	ON	OFF	WT1	WT2	A1	D	L1	ON	OFF	WT1	WT2	A2	L2	ON	OFF	A2	L2	ON	OFF	
50SA2.4AF(SS-05AF)	1ø	244	172	380	657	112	14.5	0.5	9 ⁵ / ₈	6 ³ / ₄	14 ¹⁵ / ₁₆	25 ⁷ / ₈	4 ¹ / ₁₆	32	1	424	380	667	122	16 ¹ / ₁₆	14 ¹⁵ / ₁₆	26 ¹ / ₄	4 ¹³ / ₁₆
50SA2.8AF(SS-21AF)	1ø	244	172	380	657	112	16.5	0.5	9 ⁵ / ₈	6 ³ / ₄	14 ¹⁵ / ₁₆	25 ⁷ / ₈	4 ⁷ / ₁₆	36.5	1	424	380	667	122	16 ¹ / ₁₆	14 ¹⁵ / ₁₆	26 ¹ / ₄	4 ¹³ / ₁₆
50SFU2.4AF(SF-05AUF)	1ø	237	153	380	653	108	15.5	0.5	9 ⁵ / ₁₆	6	14 ¹⁵ / ₁₆	25 ¹ / ₁₆	4 ¹ / ₄	34	1	417	380	673	128	16 ⁷ / ₁₆	14 ¹⁵ / ₁₆	26 ¹ / ₂	5 ¹ / ₁₆
50SFU2.8AF(SF-21AUF)	1ø	237	153	380	653	108	16.5	0.5	9 ⁵ / ₁₆	6	14 ¹⁵ / ₁₆	25 ¹ / ₁₆	4 ¹ / ₄	36.5	1	417	380	673	128	16 ⁷ / ₁₆	14 ¹⁵ / ₁₆	26 ¹ / ₂	5 ¹ / ₁₆
50SA2.4AF(SS-05AF)	3ø	244	172	380	657	112	15	0.5	9 ⁵ / ₈	6 ³ / ₄	14 ¹⁵ / ₁₆	25 ⁷ / ₈	4 ⁷ / ₁₆	33	1	424	380	667	122	16 ¹ / ₁₆	14 ¹⁵ / ₁₆	26 ¹ / ₄	4 ¹³ / ₁₆
50SA2.8AF(SS-21AF)	3ø	244	172	380	657	112	16	0.5	9 ⁵ / ₈	6 ³ / ₄	14 ¹⁵ / ₁₆	25 ⁷ / ₈	4 ⁷ / ₁₆	35	1	424	380	667	122	16 ¹ / ₁₆	14 ¹⁵ / ₁₆	26 ¹ / ₄	4 ¹³ / ₁₆
50SFU2.4AF(SF-05AUF)	3ø	237	153	380	653	108	15	0.5	9 ⁵ / ₁₆	6	14 ¹⁵ / ₁₆	25 ¹ / ₁₆	4 ¹ / ₄	33	1	417	380	673	128	16 ⁷ / ₁₆	14 ¹⁵ / ₁₆	26 ¹ / ₂	5 ¹ / ₁₆
50SFU2.8AF(SF-21AUF)	3ø	237	153	380	653	108	16	0.5	9 ⁵ / ₁₆	6	14 ¹⁵ / ₁₆	25 ¹ / ₁₆	4 ¹ / ₄	35	1	417	380	673	128	16 ⁷ / ₁₆	14 ¹⁵ / ₁₆	26 ¹ / ₂	5 ¹ / ₁₆

WT1:Pump Weight(including float switch)
WT2:Elbow Set Weight