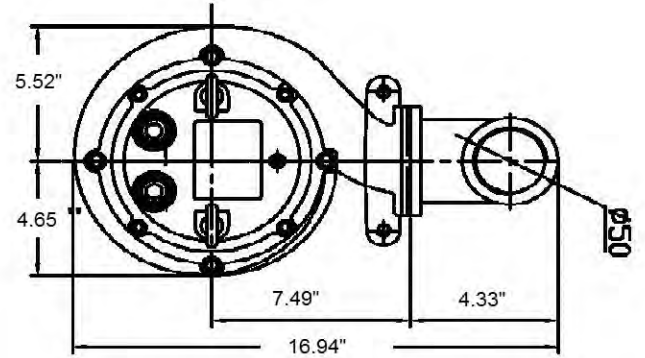
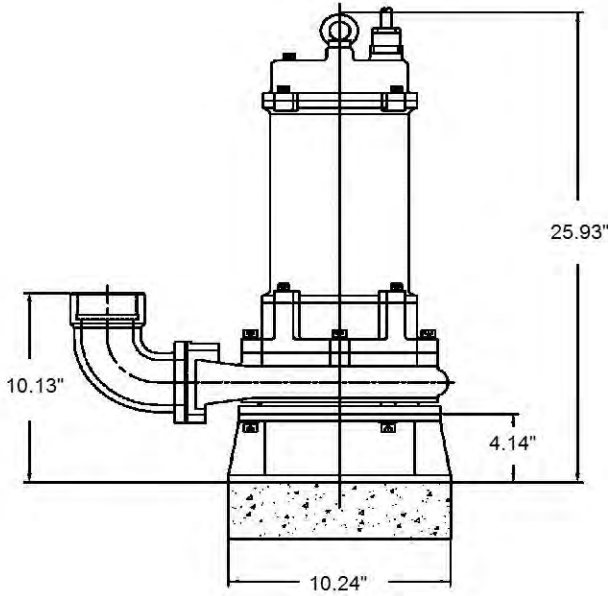


MODEL: GF 24.0M/H

DIMENSION OF PUMP



DIMENSION OF GRS

