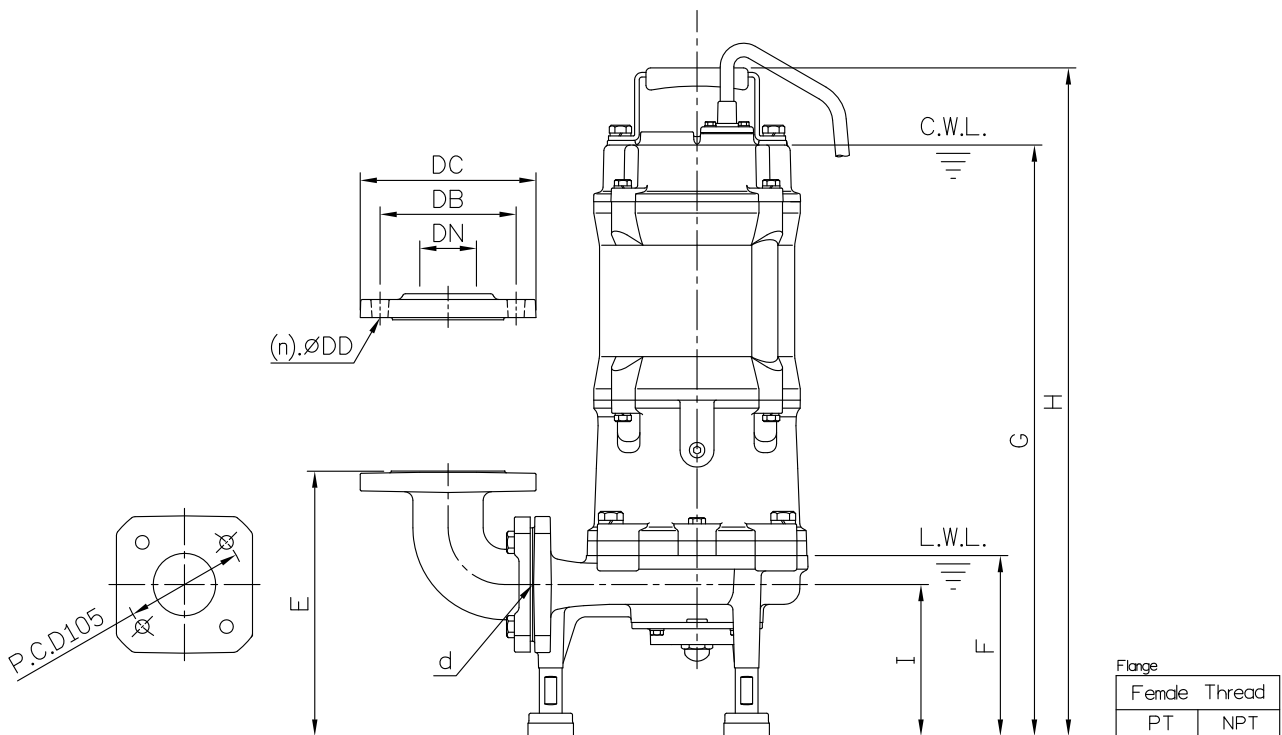
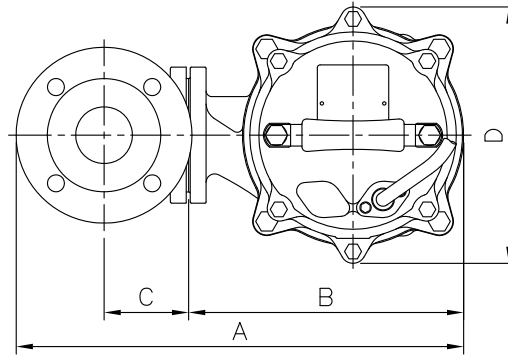


DIMENSIONS

No: S2GF0237030-00

MODEL: 50GF22.2&50GF23.7

1Ø & 3Ø



Dimensions-mm

Weight:kg

Model	d	A	B	C	D	E	F	G	H	I	WT1	Elbow (Flange) Set	DN	DB	DC	DD	(n)QTY	WT2
50GF22.2 1Ø	50	395	243	75	226	234	160	556	624	134	50	EB2-120	50	120	155	15	4	6
50GF23.7 1Ø	50	395	243	75	226	234	160	556	624	134	50	EB2-120	50	120	155	15	4	6
50GF22.2 3Ø	50	395	243	75	226	234	160	521	589	134	44	EB2-120	50	120	155	15	4	6
50GF23.7 3Ø	50	395	243	75	226	234	160	541	609	134	47	EB2-120	50	120	155	15	4	6

Dimensions-inch

Weight:lb

Model	d	A	B	C	D	E	F	G	H	I	WT1	Elbow (Flange) Set	DN	DB	DC	DD	(n)QTY	WT2
50GF22.2 1Ø	2	15 ⁵ / ₁₆	9 ⁷ / ₁₆	2 ⁵ / ₁₆	8 ⁷ / ₁₆	9 ³ / ₁₆	6 ⁵ / ₁₆	21 ⁷ / ₁₆	24 ³ / ₁₆	5 ¹ / ₄	110	EB2-120	2	4 ³ / ₄	6 ¹ / ₈	¹ / ₁₆	4	13
50GF23.7 1Ø	2	15 ⁵ / ₁₆	9 ⁷ / ₁₆	2 ⁵ / ₁₆	8 ⁷ / ₁₆	9 ³ / ₁₆	6 ⁵ / ₁₆	21 ⁷ / ₁₆	24 ³ / ₁₆	5 ¹ / ₄	110	EB2-120	2	4 ³ / ₄	6 ¹ / ₈	¹ / ₁₆	4	13
50GF22.2 3Ø	2	15 ⁵ / ₁₆	9 ⁷ / ₁₆	2 ⁵ / ₁₆	8 ⁷ / ₁₆	9 ³ / ₁₆	6 ⁵ / ₁₆	20 ¹ / ₂	23 ³ / ₁₆	5 ¹ / ₄	97	EB2-120	2	4 ³ / ₄	6 ¹ / ₈	¹ / ₁₆	4	13
50GF23.7 3Ø	2	15 ⁵ / ₁₆	9 ⁷ / ₁₆	2 ⁵ / ₁₆	8 ⁷ / ₁₆	9 ³ / ₁₆	6 ⁵ / ₁₆	21 ¹ / ₁₆	24	5 ¹ / ₄	104	EB2-120	2	4 ³ / ₄	6 ¹ / ₈	¹ / ₁₆	4	13

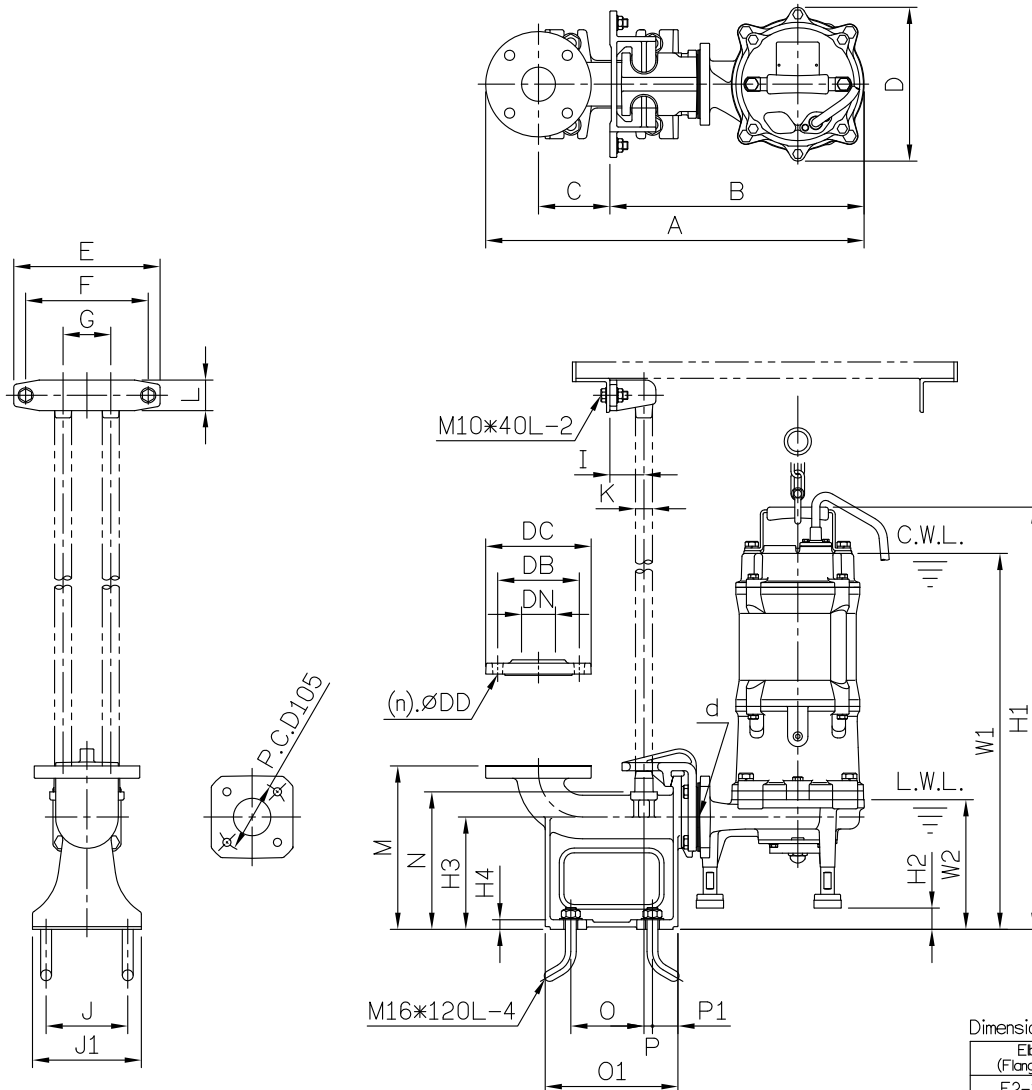
C.W.L.:Continuous Running Water Level WT1:Pump Weight(Without Cable)
 L.W.L.:Lowest Running Water Level WT2:Elbow Set Weight

DIMENSIONS

No: S2GF023703T-00

MODEL: 50GF22.2&50GF23.7

1Ø & 3Ø



Flange	
Female	Thread
PT	NPT

Dimensions-mm

Elbow (Flange) Set	DN	DB	DC	DD	(n)QTY
F2-120	50	120	155	15	4

Dimensions-inch

Elbow (Flange) Set	DN	DB	DC	DD	(n)QTY
F2-120	2	4 3/4	6 1/8	5/16	4

Dimensions-mm

Model	d	A	B	C	D	E	F	G	I	J	J1	K	L	M	N	O	O1	P	P1	W1	W2	H1	H2	H3	H4	WT1	Weight:kg	
																											GRS Set	WT2
50GF22.2 1Ø	50	556	374	105	226	215	180	70	50	120	160	1"	45	240	202	108	195	13	38	588	190	656	30	165	14	50	T50F	17
50GF23.7 1Ø	50	556	374	105	226	215	180	70	50	120	160	1"	45	240	202	108	195	13	38	588	190	656	30	165	14	50	T50F	17
50GF22.2 3Ø	50	556	374	105	226	215	180	70	50	120	160	1"	45	240	202	108	195	13	38	553	190	621	30	165	14	44	T50F	17
50GF23.7 3Ø	50	556	374	105	226	215	180	70	50	120	160	1"	45	240	202	108	195	13	38	573	190	641	30	165	14	47	T50F	17

Dimensions-inch

Model	d	A	B	C	D	E	F	G	I	J	J1	K	L	M	N	O	O1	P	P1	W1	W2	H1	H2	H3	H4	WT1	Weight:lb	
																											GRS Set	WT2
50GF22.2 1Ø	2	21 1/8	14 3/4	4 1/8	8 7/8	8 1/16	7 1/16	2 3/4	2	4 3/4	6 5/16	1	1 3/4	9 7/16	7 15/16	4 1/4	7 1/16	1/8	1 1/8	23 1/2	7 7/8	25 13/16	1 1/16	6 1/8	5/16	110	T50F	37
50GF23.7 1Ø	2	21 1/8	14 3/4	4 1/8	8 7/8	8 1/16	7 1/16	2 3/4	2	4 3/4	6 5/16	1	1 3/4	9 7/16	7 15/16	4 1/4	7 1/16	1/8	1 1/8	23 1/2	7 7/8	25 13/16	1 1/16	6 1/8	5/16	110	T50F	37
50GF22.2 3Ø	2	21 1/8	14 3/4	4 1/8	8 7/8	8 1/16	7 1/16	2 3/4	2	4 3/4	6 5/16	1	1 3/4	9 7/16	7 15/16	4 1/4	7 1/16	1/8	1 1/8	21 3/4	7 7/8	24 1/16	1 1/16	6 1/8	5/16	97	T50F	37
50GF23.7 3Ø	2	21 1/8	14 3/4	4 1/8	8 7/8	8 1/16	7 1/16	2 3/4	2	4 3/4	6 5/16	1	1 3/4	9 7/16	7 15/16	4 1/4	7 1/16	1/8	1 1/8	22 3/16	7 7/8	25 1/4	1 1/16	6 1/8	5/16	104	T50F	37

C.W.L.:Continuous Running Water Level WT1:Pump Weight(Without Cable)
 L.W.L.:Lowest Running Water Level WT2:GRS Set Weight