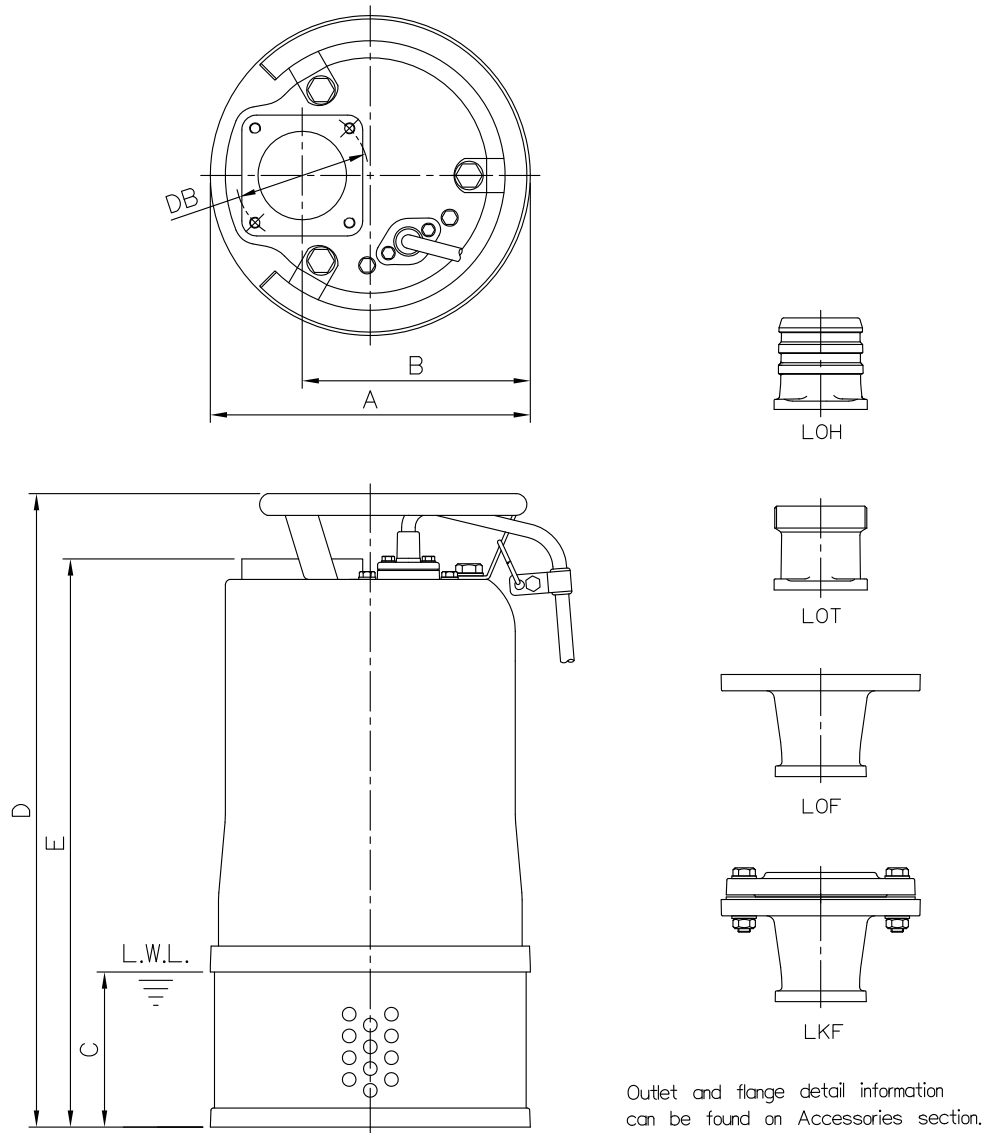


**DIMENSIONS**

**No: S2ASH237030-00**

**MODEL: 50ASH21.5/22.2/23.7**

**1Ø & 3Ø**



Outlet and flange detail information can be found on Accessories section.

Dimensions—mm

Weight:kg

Model	A	B	C	D	E	DB	WT1 50Hz/60Hz	Optional Outlet Accessories			
								LOH	LOT	LOF	LKF
50ASH21.5 1Ø	235	168	115	511	465	98	40	LOH2-98	LOT2-98	LOF2-120-125*98	LKF2-120*98
50ASH21.5 3Ø	235	168	115	466	421	98	36	LOH2-98	LOT2-98	LOF2-120-125*98	LKF2-120*98
50ASH22.2 1Ø	235	168	115	541	496	98	44	LOH2-98	LOT2-98	LOF2-120-125*98	LKF2-120*98
50ASH22.2 3Ø	235	168	115	466	421	98	39	LOH2-98	LOT2-98	LOF2-120-125*98	LKF2-120*98
50ASH23.7 3Ø	235	168	115	496	451	98	NA/44	LOH2-98	LOT2-98	LOF2-120-125*98	LKF2-120*98

Dimensions—inch

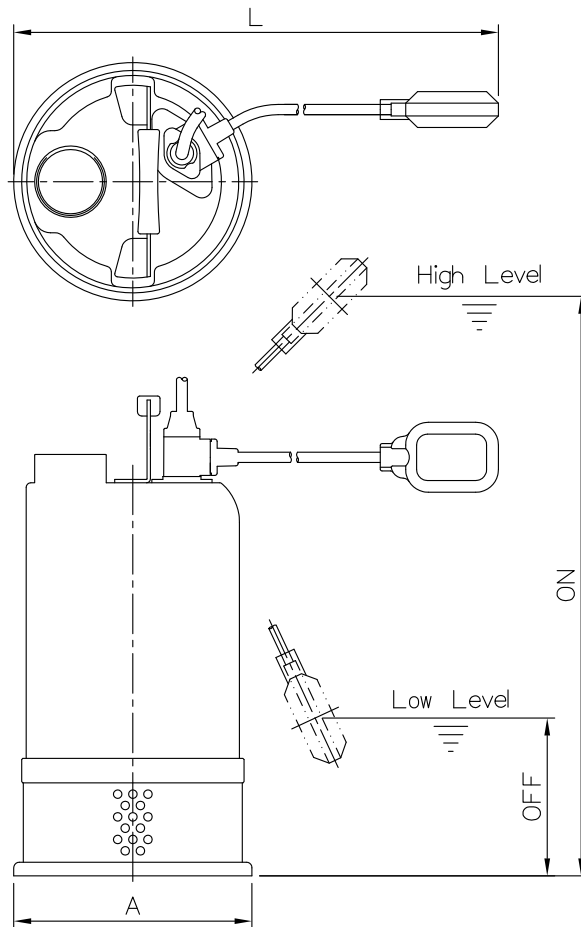
Weight:lb

Model	A	B	C	D	E	DB	WT1 50Hz/60Hz	Optional Outlet Accessories			
								LOH	LOT	LOF	LKF
50ASH21.5 1Ø	9 3/4	6 5/8	4 1/2	20 5/8	18 5/16	3 7/8	88	LOH2-98	LOT2-98	LOF2-120-125*98	LKF2-120*98
50ASH21.5 3Ø	9 3/4	6 5/8	4 1/2	18 3/8	16 3/16	3 7/8	79	LOH2-98	LOT2-98	LOF2-120-125*98	LKF2-120*98
50ASH22.2 1Ø	9 3/4	6 5/8	4 1/2	21 7/16	19 1/2	3 7/8	97	LOH2-98	LOT2-98	LOF2-120-125*98	LKF2-120*98
50ASH22.2 3Ø	9 3/4	6 5/8	4 1/2	18 3/8	16 3/16	3 7/8	86	LOH2-98	LOT2-98	LOF2-120-125*98	LKF2-120*98
50ASH23.7 3Ø	9 3/4	6 5/8	4 1/2	19 1/2	17 3/4	3 7/8	NA/97	LOH2-98	LOT2-98	LOF2-120-125*98	LKF2-120*98

L.W.L.:Lowest Running Water Level

WT1:Pump Weight(Without Cable)

**Float Switch Pumps Model**



Model	Pump Only									
	Dimensions-mm				Weight-kg	Dimensions-inch				Weight-lb
	A	L	ON	OFF	WT1 50Hz/60Hz	A	L	ON	OFF	WT1 50Hz/60Hz
AS-215F 1Ø	210	505	708	162	28.5	8¼	19¾	27⅞	6⅜	63
50ASH21.5F 1Ø	235	625	593	143	40.5	9¼	24⅝	23⅜	5⅝	89
50ASH22.2F 1Ø	235	625	624	174	44.5	9¼	24⅝	24⅜	6⅞	98
80ASN21.5F 1Ø	235	625	593	143	40.5	9¼	24⅝	23⅜	5⅝	89
80ASN22.2F 1Ø	235	625	624	174	45.5/44.5	9¼	24⅝	24⅜	6⅞	100/98

WT1:Pump Weight(including float switch)