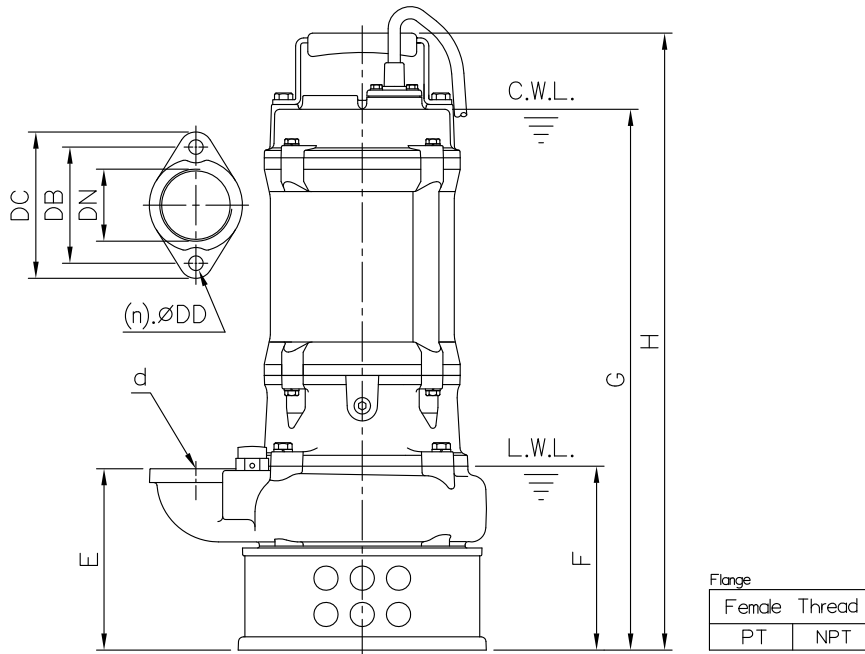
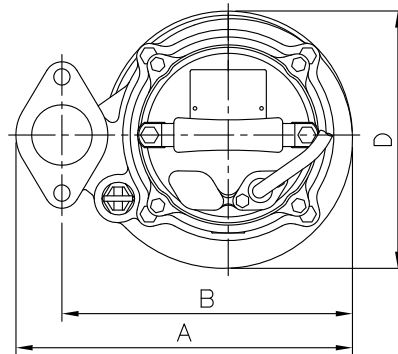


**DIMENSIONS**

**No: S2AL0215030-00**

**MODEL: 50AL21.5 & 50AL22.2**

**1 Ø & 3 Ø**



Dimensions—mm

Weight:kg

Model	d	A	B	D	E	F	G	H	WT1	Elbow (Flange) Set	DN	DB	DC	DD	(n)QTY	WT2
50AL21.5 1Ø	50	278	240	212	150	150	502	565	35	EF2-96	50	96	121	12	2	1
50AL22.2 1Ø	50	278	240	212	150	150	535	598	38	EF2-96	50	96	121	12	2	1
50AL21.5 3Ø	50	278	240	212	150	150	451	514	31	EF2-96	50	96	121	12	2	1
50AL22.2 3Ø	50	278	240	212	150	150	451	514	34	EF2-96	50	96	121	12	2	1

Dimensions—inch

Weight:lb

Model	d	A	B	D	E	F	G	H	WT1	Elbow (Flange) Set	DN	DB	DC	DD	(n)QTY	WT2
50AL21.5 1Ø	2	10 <sup>15</sup> / <sub>16</sub>	9 <sup>7</sup> / <sub>16</sub>	8 <sup>3</sup> / <sub>8</sub>	5 <sup>7</sup> / <sub>8</sub>	5 <sup>7</sup> / <sub>8</sub>	19 <sup>3</sup> / <sub>4</sub>	22 <sup>7</sup> / <sub>4</sub>	77	EF2-96	2	3 <sup>3</sup> / <sub>4</sub>	4 <sup>3</sup> / <sub>4</sub>	1/2	2	1
50AL22.2 1Ø	2	10 <sup>15</sup> / <sub>16</sub>	9 <sup>7</sup> / <sub>16</sub>	8 <sup>3</sup> / <sub>8</sub>	5 <sup>7</sup> / <sub>8</sub>	5 <sup>7</sup> / <sub>8</sub>	21 <sup>1</sup> / <sub>16</sub>	23 <sup>3</sup> / <sub>16</sub>	84	EF2-96	2	3 <sup>3</sup> / <sub>4</sub>	4 <sup>3</sup> / <sub>4</sub>	1/2	2	1
50AL21.5 3Ø	2	10 <sup>15</sup> / <sub>16</sub>	9 <sup>7</sup> / <sub>16</sub>	8 <sup>3</sup> / <sub>8</sub>	5 <sup>7</sup> / <sub>8</sub>	5 <sup>7</sup> / <sub>8</sub>	17 <sup>3</sup> / <sub>4</sub>	20 <sup>1</sup> / <sub>4</sub>	68	EF2-96	2	3 <sup>3</sup> / <sub>4</sub>	4 <sup>3</sup> / <sub>4</sub>	1/2	2	1
50AL22.2 3Ø	2	10 <sup>15</sup> / <sub>16</sub>	9 <sup>7</sup> / <sub>16</sub>	8 <sup>3</sup> / <sub>8</sub>	5 <sup>7</sup> / <sub>8</sub>	5 <sup>7</sup> / <sub>8</sub>	17 <sup>3</sup> / <sub>4</sub>	20 <sup>1</sup> / <sub>4</sub>	75	EF2-96	2	3 <sup>3</sup> / <sub>4</sub>	4 <sup>3</sup> / <sub>4</sub>	1/2	2	1

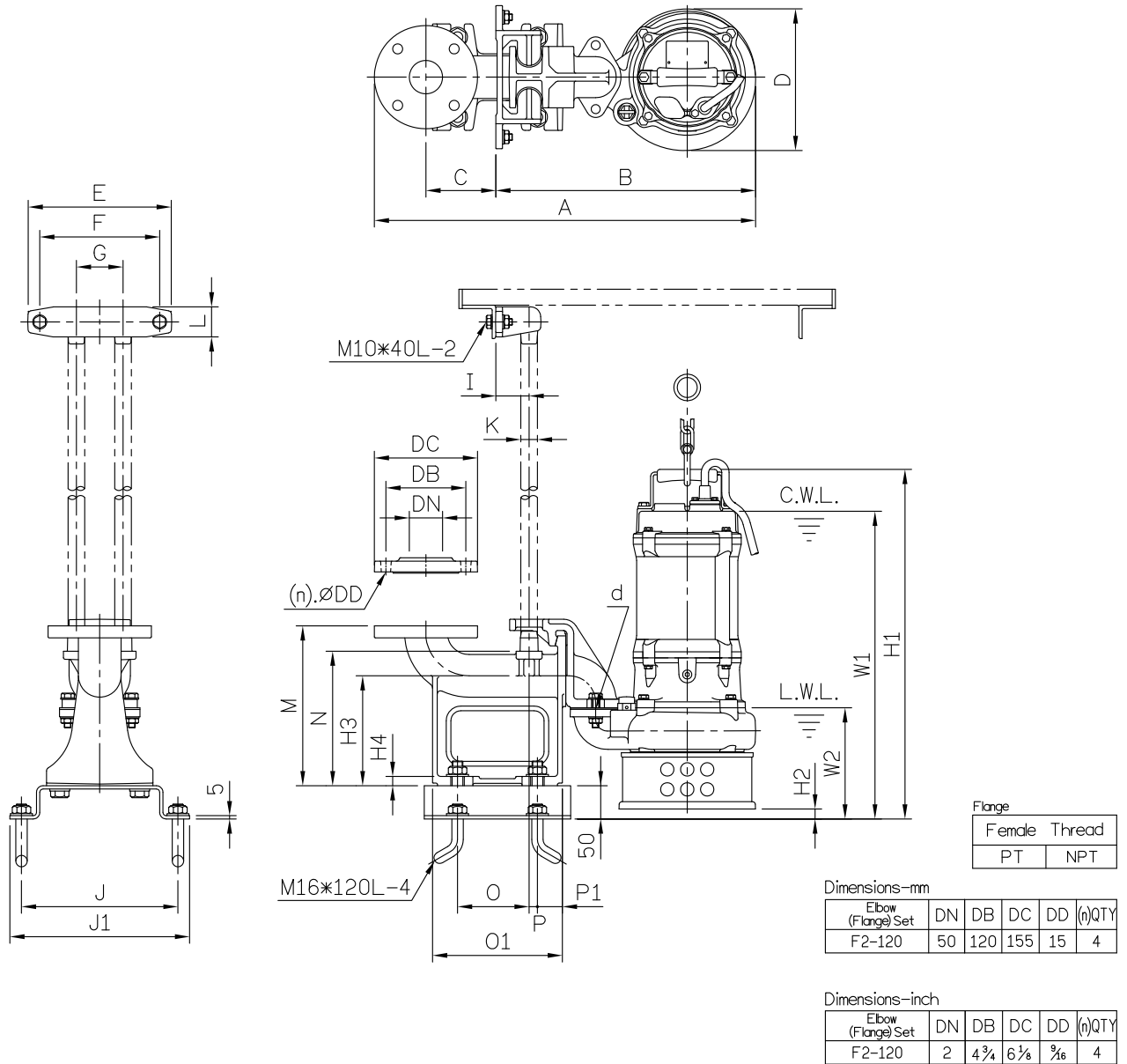
C.W.L.:Continuous Running Water Level WT1:Pump Weight(Without Cable)  
 L.W.L.:Lowest Running Water Level WT2:Elbow Set Weight

**DIMENSIONS**

**NO: S2AL022203T-00**

**MODEL: 50AL21.5 & 50AL22.2**

**1Ø & 3Ø**



Dimensions-mm

Model	d	A	B	C	D	E	F	G	I	J	J1	K	L	M	N	O	O1	P	P1	W1	W2	H1	H2	H3	H4	WT1	Weight:kg	
																											GRS Set	WT2
50AL21.5 1Ø	50	573	390	105	213	215	180	70	50	235	270	1"	45	240	202	108	195	13	38	517	167	580	15	165	14	35	T50E-E5	21
50AL22.2 1Ø	50	573	390	105	213	215	180	70	50	235	270	1"	45	240	202	108	195	13	38	550	167	613	15	165	14	38	T50E-E5	21
50AL21.5 3Ø	50	573	390	105	213	215	180	70	50	235	270	1"	45	240	202	108	195	13	38	462	167	525	15	165	14	31	T50E-E5	21
50AL22.2 3Ø	50	573	390	105	213	215	180	70	50	235	270	1"	45	240	202	108	195	13	38	495	167	558	15	165	14	34	T50E-E5	21

Dimensions-inch

Model	d	A	B	C	D	E	F	G	I	J	J1	K	L	M	N	O	O1	P	P1	W1	W2	H1	H2	H3	H4	WT1	Weight:lb	
																											GRS Set	WT2
50AL21.5 1Ø	2	22 3/16	15 3/8	4 1/8	8 3/8	8 1/16	7 1/16	2 3/4	2	9 3/4	10 5/8	1"	1 3/4	9 1/16	7 15/16	4 1/4	7 1/16	1/2	1 1/2	20 3/8	6 3/16	22 3/16	3/16	6 1/2	3/16	77	T50E-E5	47
50AL22.2 1Ø	2	22 3/16	15 3/8	4 1/8	8 3/8	8 1/16	7 1/16	2 3/4	2	9 3/4	10 5/8	1"	1 3/4	9 1/16	7 15/16	4 1/4	7 1/16	1/2	1 1/2	21 1/8	6 3/16	24 3/8	3/16	6 1/2	3/16	84	T50E-E5	47
50AL21.5 3Ø	2	22 3/16	15 3/8	4 1/8	8 3/8	8 1/16	7 1/16	2 3/4	2	9 3/4	10 5/8	1"	1 3/4	9 1/16	7 15/16	4 1/4	7 1/16	1/2	1 1/2	18 3/8	6 3/16	20 3/16	3/16	6 1/2	3/16	68	T50E-E5	47
50AL22.2 3Ø	2	22 3/16	15 3/8	4 1/8	8 3/8	8 1/16	7 1/16	2 3/4	2	9 3/4	10 5/8	1"	1 3/4	9 1/16	7 15/16	4 1/4	7 1/16	1/2	1 1/2	19 1/2	6 3/16	21 1/8	3/16	6 1/2	3/16	75	T50E-E5	47

C.W.L.:Continuous Running Water Level WT1:Pump Weight(Without Cable)  
 L.W.L.:Lowest Running Water Level WT2:GRS Set Weight