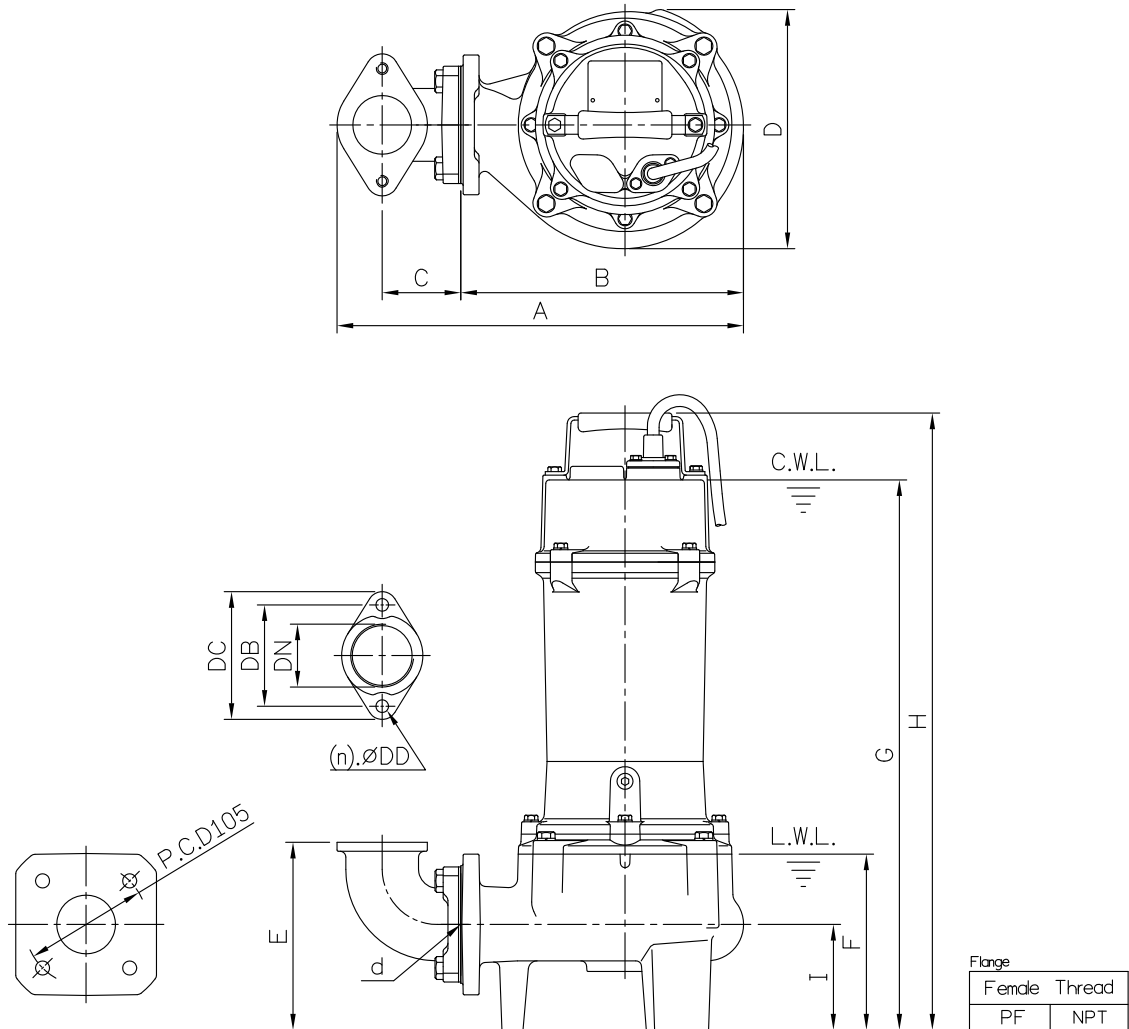


**DIMENSIONS**

**No: S2AFU408030-00**

**MODEL: 50AFU4.4 & 50AFU4.8**

**1Ø & 3Ø**



Dimensions—mm

Weight:Kg

| Model       | d  | A   | B   | C  | D   | E   | F   | G   | H   | I  | WT1 | Elbow (Flange) Set | DN | DB | DC  | DD | (n)QTY | WT2 |
|-------------|----|-----|-----|----|-----|-----|-----|-----|-----|----|-----|--------------------|----|----|-----|----|--------|-----|
| 50AFU4.4 1Ø | 50 | 347 | 241 | 67 | 204 | 160 | 150 | 469 | 526 | 90 | 30  | EB2-96             | 50 | 96 | 121 | 12 | 2      | 3   |
| 50AFU4.4 3Ø | 50 | 347 | 241 | 67 | 204 | 160 | 150 | 469 | 526 | 90 | 28  | EB2-96             | 50 | 96 | 121 | 12 | 2      | 3   |
| 50AFU4.8 1Ø | 50 | 347 | 241 | 67 | 204 | 160 | 150 | 469 | 526 | 90 | 30  | EB2-96             | 50 | 96 | 121 | 12 | 2      | 3   |
| 50AFU4.8 3Ø | 50 | 347 | 241 | 67 | 204 | 160 | 150 | 469 | 526 | 90 | 29  | EB2-96             | 50 | 96 | 121 | 12 | 2      | 3   |

Dimensions—inch

Weight:Lbs

| Model       | d | A                               | B                             | C                             | D                              | E                              | F                             | G                               | H                               | I                              | WT1 | Elbow (Flange) Set | DN | DB                            | DC                            | DD  | (n)QTY | WT2 |
|-------------|---|---------------------------------|-------------------------------|-------------------------------|--------------------------------|--------------------------------|-------------------------------|---------------------------------|---------------------------------|--------------------------------|-----|--------------------|----|-------------------------------|-------------------------------|-----|--------|-----|
| 50AFU4.4 1Ø | 2 | 13 <sup>3</sup> / <sub>16</sub> | 9 <sup>1</sup> / <sub>2</sub> | 2 <sup>5</sup> / <sub>8</sub> | 8 <sup>1</sup> / <sub>16</sub> | 6 <sup>5</sup> / <sub>16</sub> | 5 <sup>7</sup> / <sub>8</sub> | 18 <sup>1</sup> / <sub>16</sub> | 20 <sup>1</sup> / <sub>16</sub> | 3 <sup>9</sup> / <sub>16</sub> | 66  | EB2-96             | 2  | 3 <sup>3</sup> / <sub>4</sub> | 4 <sup>3</sup> / <sub>4</sub> | 1/2 | 2      | 7   |
| 50AFU4.4 3Ø | 2 | 13 <sup>3</sup> / <sub>16</sub> | 9 <sup>1</sup> / <sub>2</sub> | 2 <sup>5</sup> / <sub>8</sub> | 8 <sup>1</sup> / <sub>16</sub> | 6 <sup>5</sup> / <sub>16</sub> | 5 <sup>7</sup> / <sub>8</sub> | 18 <sup>1</sup> / <sub>16</sub> | 20 <sup>1</sup> / <sub>16</sub> | 3 <sup>9</sup> / <sub>16</sub> | 62  | EB2-96             | 2  | 3 <sup>3</sup> / <sub>4</sub> | 4 <sup>3</sup> / <sub>4</sub> | 1/2 | 2      | 7   |
| 50AFU4.8 1Ø | 2 | 13 <sup>3</sup> / <sub>16</sub> | 9 <sup>1</sup> / <sub>2</sub> | 2 <sup>5</sup> / <sub>8</sub> | 8 <sup>1</sup> / <sub>16</sub> | 6 <sup>5</sup> / <sub>16</sub> | 5 <sup>7</sup> / <sub>8</sub> | 18 <sup>1</sup> / <sub>16</sub> | 20 <sup>1</sup> / <sub>16</sub> | 3 <sup>9</sup> / <sub>16</sub> | 66  | EB2-96             | 2  | 3 <sup>3</sup> / <sub>4</sub> | 4 <sup>3</sup> / <sub>4</sub> | 1/2 | 2      | 7   |
| 50AFU4.8 3Ø | 2 | 13 <sup>3</sup> / <sub>16</sub> | 9 <sup>1</sup> / <sub>2</sub> | 2 <sup>5</sup> / <sub>8</sub> | 8 <sup>1</sup> / <sub>16</sub> | 6 <sup>5</sup> / <sub>16</sub> | 5 <sup>7</sup> / <sub>8</sub> | 18 <sup>1</sup> / <sub>16</sub> | 20 <sup>1</sup> / <sub>16</sub> | 3 <sup>9</sup> / <sub>16</sub> | 64  | EB2-96             | 2  | 3 <sup>3</sup> / <sub>4</sub> | 4 <sup>3</sup> / <sub>4</sub> | 1/2 | 2      | 7   |

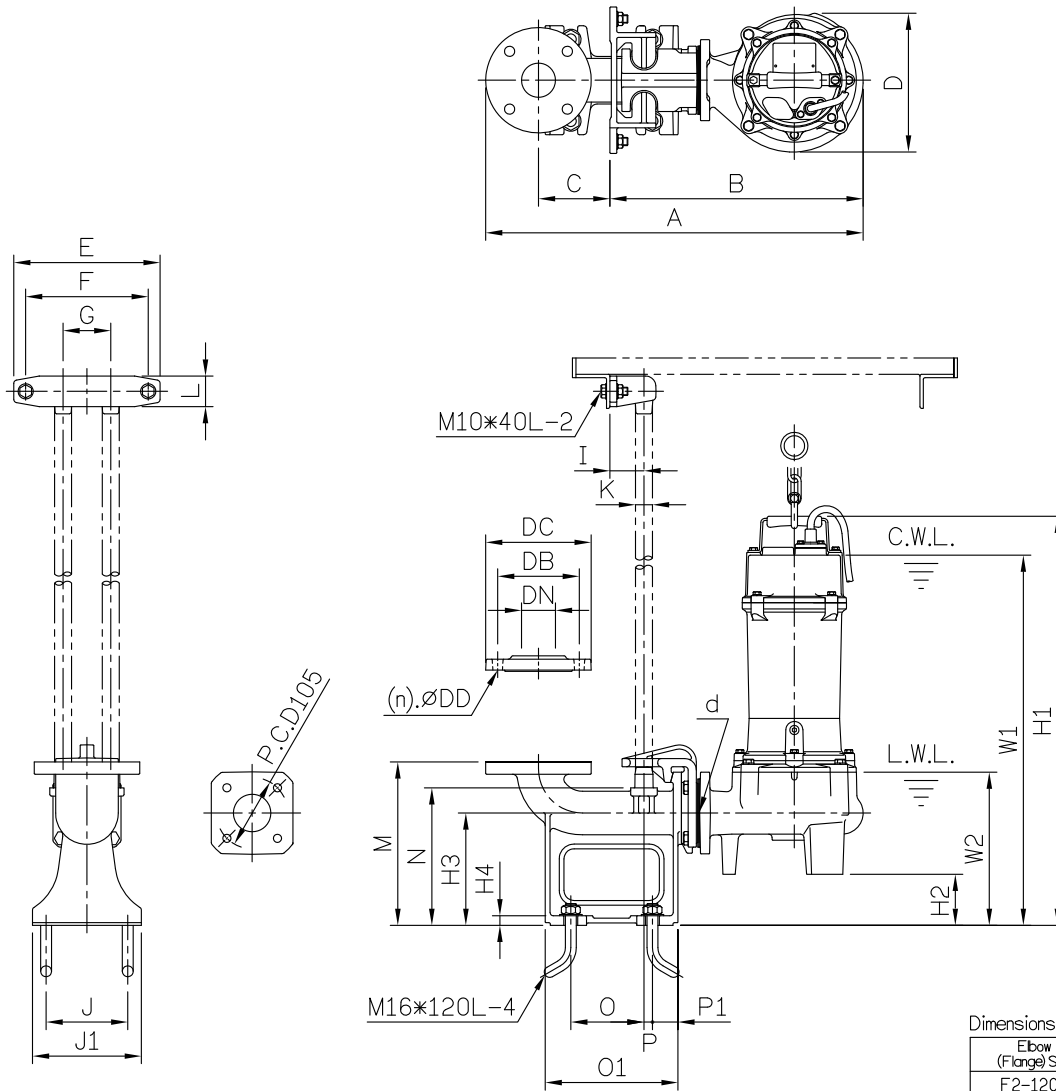
C.W.L.:Continuous Running Water Level WT1:Pump Weight(Without Cable)  
L.W.L.:Lowest Running Water Level WT2:Elbow Set Weight

**DIMENSIONS**

**No: S2AFU40803T-00**

**MODEL: 50AFU4.4 & 50AFU4.8**

**1Ø & 3Ø**



|        |        |
|--------|--------|
| Flange |        |
| Female | Thread |
| PT     | NPT    |

| Dimensions-mm      |    |     |     |    |        |  |  |
|--------------------|----|-----|-----|----|--------|--|--|
| Elbow (Flange) Set | DN | DB  | DC  | DD | (n)QTY |  |  |
| F2-120             | 50 | 120 | 155 | 15 | 4      |  |  |

| Dimensions-inch    |    |       |       |      |        |  |  |
|--------------------|----|-------|-------|------|--------|--|--|
| Elbow (Flange) Set | DN | DB    | DC    | DD   | (n)QTY |  |  |
| F2-120             | 2  | 4 3/4 | 6 1/8 | 5/16 | 4      |  |  |

Dimensions-mm

| Model       | d  | A   | B   | C   | D   | E   | F   | G  | I  | J   | J1  | K  | L  | M   | N   | O   | O1  | P  | P1 | W1  | W2  | H1  | H2 | H3  | H4 | WT1 | Weight:Kg |     |
|-------------|----|-----|-----|-----|-----|-----|-----|----|----|-----|-----|----|----|-----|-----|-----|-----|----|----|-----|-----|-----|----|-----|----|-----|-----------|-----|
|             |    |     |     |     |     |     |     |    |    |     |     |    |    |     |     |     |     |    |    |     |     |     |    |     |    |     | GRS Set   | WT2 |
| 50AFU4.4 1Ø | 50 | 555 | 372 | 105 | 204 | 215 | 180 | 70 | 50 | 120 | 160 | 1" | 45 | 240 | 202 | 108 | 195 | 13 | 38 | 544 | 225 | 601 | 75 | 165 | 14 | 30  | T50F      | 17  |
| 50AFU4.4 3Ø | 50 | 555 | 372 | 105 | 204 | 215 | 180 | 70 | 50 | 120 | 160 | 1" | 45 | 240 | 202 | 108 | 195 | 13 | 38 | 544 | 225 | 601 | 75 | 165 | 14 | 28  | T50F      | 17  |
| 50AFU4.8 1Ø | 50 | 555 | 372 | 105 | 204 | 215 | 180 | 70 | 50 | 120 | 160 | 1" | 45 | 240 | 202 | 108 | 195 | 13 | 38 | 544 | 225 | 601 | 75 | 165 | 14 | 30  | T50F      | 17  |
| 50AFU4.8 3Ø | 50 | 555 | 372 | 105 | 204 | 215 | 180 | 70 | 50 | 120 | 160 | 1" | 45 | 240 | 202 | 108 | 195 | 13 | 38 | 544 | 225 | 601 | 75 | 165 | 14 | 29  | T50F      | 17  |

Dimensions-inch

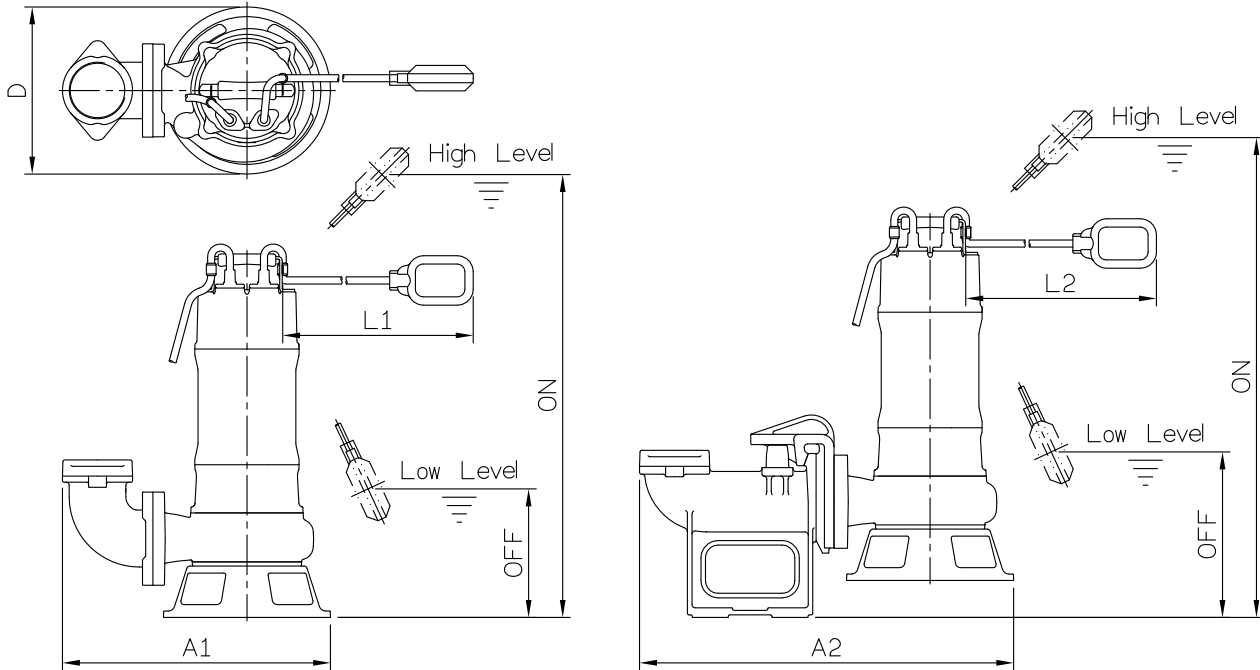
| Model       | d | A      | B      | C     | D      | E      | F      | G     | I | J     | J1     | K | L     | M      | N       | O     | O1      | P   | P1    | W1      | W2    | H1       | H2     | H3    | H4   | WT1 | Weight:Lbs |     |
|-------------|---|--------|--------|-------|--------|--------|--------|-------|---|-------|--------|---|-------|--------|---------|-------|---------|-----|-------|---------|-------|----------|--------|-------|------|-----|------------|-----|
|             |   |        |        |       |        |        |        |       |   |       |        |   |       |        |         |       |         |     |       |         |       |          |        |       |      |     | GRS Set    | WT2 |
| 50AFU4.4 1Ø | 2 | 21 7/8 | 14 5/8 | 4 1/8 | 8 1/16 | 8 7/16 | 7 1/16 | 2 3/4 | 2 | 4 3/4 | 6 5/16 | 1 | 1 3/4 | 9 7/16 | 7 15/16 | 4 1/4 | 7 15/16 | 1/2 | 1 1/2 | 21 1/16 | 8 7/8 | 23 11/16 | 2 5/16 | 6 1/2 | 5/16 | 66  | T50F       | 37  |
| 50AFU4.4 3Ø | 2 | 21 1/8 | 14 3/8 | 4 1/8 | 8 1/16 | 8 7/16 | 7 1/16 | 2 3/4 | 2 | 4 3/4 | 6 5/16 | 1 | 1 3/4 | 9 7/16 | 7 15/16 | 4 1/4 | 7 15/16 | 1/2 | 1 1/2 | 21 1/16 | 8 7/8 | 23 3/16  | 2 5/16 | 6 1/2 | 5/16 | 62  | T50F       | 37  |
| 50AFU4.8 1Ø | 2 | 21 1/8 | 14 3/8 | 4 1/8 | 8 1/16 | 8 7/16 | 7 1/16 | 2 3/4 | 2 | 4 3/4 | 6 5/16 | 1 | 1 3/4 | 9 7/16 | 7 15/16 | 4 1/4 | 7 15/16 | 1/2 | 1 1/2 | 21 1/16 | 8 7/8 | 23 3/16  | 2 5/16 | 6 1/2 | 5/16 | 66  | T50F       | 37  |
| 50AFU4.8 3Ø | 2 | 21 7/8 | 14 5/8 | 4 1/8 | 8 1/16 | 8 7/16 | 7 1/16 | 2 3/4 | 2 | 4 3/4 | 6 5/16 | 1 | 1 3/4 | 9 7/16 | 7 15/16 | 4 1/4 | 7 15/16 | 1/2 | 1 1/2 | 21 1/16 | 8 7/8 | 23 11/16 | 2 5/16 | 6 1/2 | 5/16 | 64  | T50F       | 37  |

C.W.L.:Continuous Running Water Level WT1:Pump Weight(Without Cable)  
L.W.L.:Lowest Running Water Level WT2:GRS Set Weight

**DIMENSIONS**

**No: SOAF00000F-00**

**Float Switch Pumps Model**



| Model          | Pump Only     |     |     |     |     |                  |     |                 |         |          |         |          |                  |     | With GRS      |     |     |     |                 |          |         |          |
|----------------|---------------|-----|-----|-----|-----|------------------|-----|-----------------|---------|----------|---------|----------|------------------|-----|---------------|-----|-----|-----|-----------------|----------|---------|----------|
|                | Dimensions-mm |     |     |     |     | Weight-kg        |     | Dimensions-inch |         |          |         |          | Weight-lb        |     | Dimensions-mm |     |     |     | Dimensions-inch |          |         |          |
|                | A1            | D   | L1  | ON  | OFF | WT1<br>50Hz/60Hz | WT2 | A1              | D       | L1       | ON      | OFF      | WT1<br>50Hz/60Hz | WT2 | A2            | L2  | ON  | OFF | A2              | L2       | ON      | OFF      |
| 50AFU2.4F 1Ø   | 235           | 154 | 380 | 570 | 240 | 19.5             | 0.5 | 9 3/4           | 6 1/8   | 14 15/16 | 22 7/16 | 9 7/16   | 43               | 1   | 415           | 380 | 589 | 259 | 16 5/16         | 14 15/16 | 23 3/16 | 10 3/16  |
| 50AFU2.8F 1Ø   | 235           | 154 | 380 | 570 | 240 | 20.5             | 0.5 | 9 3/4           | 6 1/8   | 14 15/16 | 22 7/16 | 9 7/16   | 45               | 1   | 415           | 380 | 589 | 259 | 16 5/16         | 14 15/16 | 23 3/16 | 10 3/16  |
| 50AFU2.4LF 1Ø  | 307           | 164 | 380 | 600 | 270 | 20.5             | 3   | 12 1/16         | 6 7/16  | 14 15/16 | 23 5/8  | 10 5/8   | 45               | 6.5 | 515           | 380 | 685 | 355 | 20 3/4          | 14 15/16 | 26 5/16 | 14       |
| 50AFU2.8LF 1Ø  | 307           | 164 | 380 | 600 | 270 | 22.5             | 3   | 12 1/16         | 6 7/16  | 14 15/16 | 23 5/8  | 10 5/8   | 49.5             | 6.5 | 515           | 380 | 685 | 355 | 20 3/4          | 14 15/16 | 26 5/16 | 14       |
| 50AFU21.5F 1Ø  | 288           | 202 | 455 | 605 | 155 | 33.5             | 0.5 | 11 1/16         | 7 15/16 | 17 15/16 | 23 3/16 | 6 1/8    | 74               | 1   | 582           | 455 | 632 | 182 | 22 3/16         | 17 15/16 | 24 7/8  | 7 3/16   |
| 80AFU21.5F 1Ø  | 397           | 202 | 455 | 645 | 195 | 35.5             | 5   | 15 5/8          | 7 15/16 | 17 15/16 | 25 3/8  | 7 11/16  | 78               | 11  | 567           | 455 | 744 | 294 | 22 3/16         | 17 15/16 | 29 1/8  | 11 1/16  |
| 80AFU22.2F 1Ø  | 397           | 202 | 455 | 680 | 230 | 38.5             | 5   | 15 5/8          | 7 15/16 | 17 15/16 | 26 3/8  | 9 1/16   | 85               | 11  | 567           | 455 | 779 | 329 | 22 3/16         | 17 15/16 | 30 1/4  | 12 3/16  |
| 80AFU21.5LF 1Ø | 402           | 221 | 455 | 695 | 245 | 38.5             | 5   | 15 5/8          | 8 1/16  | 17 15/16 | 27 3/8  | 9 5/8    | 85               | 11  | 572           | 455 | 755 | 305 | 22 3/16         | 17 15/16 | 29 3/4  | 12       |
| 80AFU22.2LF 1Ø | 402           | 221 | 455 | 730 | 280 | 40.5             | 5   | 15 5/8          | 8 1/16  | 17 15/16 | 28 3/4  | 11       | 89               | 11  | 572           | 455 | 790 | 340 | 22 3/16         | 17 15/16 | 31 1/4  | 13 3/8   |
| 80AFP21.5F 1Ø  | 417           | 260 | 455 | 645 | 195 | 37.5             | 5   | 16 1/16         | 10 3/4  | 17 15/16 | 25 3/8  | 7 11/16  | 83               | 11  | 582           | 455 | 702 | 252 | 22 3/16         | 17 15/16 | 27 5/8  | 9 15/16  |
| 80AFP22.2F 1Ø  | 417           | 260 | 455 | 680 | 230 | 40.5             | 5   | 16 1/16         | 10 3/4  | 17 15/16 | 26 3/4  | 9 1/16   | 89               | 11  | 582           | 455 | 737 | 287 | 22 3/16         | 17 15/16 | 29      | 11 1/16  |
| 50AFU2.4F 3Ø   | 235           | 154 | 380 | 570 | 240 | 19               | 0.5 | 9 3/4           | 6 1/8   | 14 15/16 | 22 1/16 | 9 7/16   | 42               | 1   | 415           | 380 | 589 | 259 | 16 5/16         | 14 15/16 | 23 3/16 | 10 3/16  |
| 50AFU2.8F 3Ø   | 235           | 154 | 380 | 570 | 240 | 20               | 0.5 | 9 3/4           | 6 1/8   | 14 15/16 | 22 1/16 | 9 7/16   | 44               | 1   | 415           | 380 | 589 | 259 | 16 5/16         | 14 15/16 | 23 3/16 | 10 3/16  |
| 50AFU2.4LF 3Ø  | 307           | 164 | 380 | 600 | 270 | 20               | 3   | 12 1/16         | 6 7/16  | 14 15/16 | 23 5/8  | 10 5/8   | 44               | 6.5 | 515           | 380 | 685 | 355 | 20 3/4          | 14 15/16 | 26 5/16 | 14       |
| 50AFU2.8LF 3Ø  | 307           | 164 | 380 | 600 | 270 | 22               | 3   | 12 1/16         | 6 7/16  | 14 15/16 | 23 5/8  | 10 5/8   | 48.5             | 6.5 | 515           | 380 | 685 | 355 | 20 3/4          | 14 15/16 | 26 5/16 | 14       |
| 50AFU21.5F 3Ø  | 288           | 202 | 510 | 437 | 149 | 31.5             | 0.5 | 11 1/16         | 7 15/16 | 20 1/16  | 17 1/16 | 5 7/8    | 69.5             | 1   | 582           | 510 | 464 | 176 | 22 3/16         | 20 1/16  | 18 1/4  | 6 15/16  |
| 80AFU21.5F 3Ø  | 397           | 202 | 510 | 477 | 189 | 34.5             | 5   | 15 5/8          | 7 15/16 | 20 1/16  | 18 3/4  | 7 7/16   | 76               | 11  | 567           | 510 | 576 | 288 | 22 3/16         | 20 1/16  | 22 1/16 | 11 1/16  |
| 80AFU22.2F 3Ø  | 397           | 202 | 510 | 477 | 189 | 36.5             | 5   | 15 5/8          | 7 15/16 | 20 1/16  | 18 3/4  | 7 7/16   | 80.5             | 11  | 567           | 510 | 576 | 288 | 22 3/16         | 20 1/16  | 22 1/16 | 11 1/16  |
| 80AFU21.5LF 3Ø | 402           | 221 | 510 | 527 | 239 | 36.5             | 5   | 15 5/8          | 8 1/16  | 20 1/16  | 20 3/4  | 9 7/16   | 80.5             | 11  | 572           | 510 | 587 | 299 | 22 3/16         | 20 1/16  | 23 3/8  | 11 3/4   |
| 80AFU22.2LF 3Ø | 402           | 221 | 510 | 527 | 239 | 38.5             | 5   | 15 5/8          | 8 1/16  | 20 1/16  | 20 3/4  | 9 7/16   | 85               | 11  | 572           | 510 | 587 | 299 | 22 3/16         | 20 1/16  | 23 3/8  | 11 3/4   |
| 80AFP21.5F 3Ø  | 417           | 260 | 510 | 620 | 250 | 35.5             | 5   | 16 1/16         | 10 3/4  | 20 1/16  | 24 7/16 | 9 13/16  | 78               | 11  | 582           | 510 | 677 | 307 | 22 3/16         | 20 1/16  | 26 5/8  | 12 3/16  |
| 80AFP22.2F 3Ø  | 417           | 260 | 510 | 620 | 250 | 37.5             | 5   | 16 1/16         | 10 3/4  | 20 1/16  | 24 7/16 | 9 13/16  | 83               | 11  | 582           | 510 | 677 | 307 | 22 3/16         | 20 1/16  | 26 5/8  | 12 3/16  |
| 50AFU4.4F 1Ø   | 347           | 204 | 470 | 750 | 200 | 30.5             | 3   | 13 3/16         | 8 3/8   | 18 1/2   | 29 1/2  | 7 7/8    | 67               | 6.5 | 555           | 470 | 825 | 275 | 21 1/8          | 18 1/2   | 32 1/2  | 10 13/16 |
| 50AFU4.8F 1Ø   | 347           | 204 | 470 | 750 | 200 | 30.5             | 3   | 13 3/16         | 8 3/8   | 18 1/2   | 29 1/2  | 7 7/8    | 67               | 6.5 | 555           | 470 | 825 | 275 | 21 1/8          | 18 1/2   | 32 1/2  | 10 13/16 |
| 80AFU41.5F 1Ø  | 447           | 255 | 455 | 780 | 300 | 47.5             | 5   | 17 3/8          | 10 1/16 | 17 15/16 | 30 3/16 | 11 13/16 | 105              | 11  | 612           | 455 | 818 | 338 | 24 3/8          | 17 15/16 | 32 3/16 | 13 3/16  |
| 80AFP41.5F 1Ø  | 474           | 280 | 455 | 727 | 247 | 47.5/46.5        | 5   | 18 1/16         | 11 1/16 | 17 15/16 | 28 3/8  | 9 3/4    | 105/102.5        | 11  | 639           | 455 | 776 | 296 | 25 3/16         | 17 15/16 | 30 3/16 | 11 5/8   |
| 50AFU4.4F 3Ø   | 347           | 204 | 470 | 750 | 200 | 29               | 3   | 13 3/16         | 8 3/8   | 18 1/2   | 29 1/2  | 7 7/8    | 64               | 6.5 | 555           | 470 | 825 | 275 | 21 1/8          | 18 1/2   | 32 1/2  | 10 13/16 |
| 50AFU4.8F 3Ø   | 347           | 204 | 470 | 750 | 200 | 30               | 3   | 13 3/16         | 8 3/8   | 18 1/2   | 29 1/2  | 7 7/8    | 66               | 6.5 | 555           | 470 | 825 | 275 | 21 1/8          | 18 1/2   | 32 1/2  | 10 13/16 |
| 80AFU41.5F 3Ø  | 447           | 255 | 510 | 770 | 280 | 49.5             | 5   | 17 3/8          | 10 1/16 | 20 1/16  | 30 3/16 | 11       | 109              | 11  | 612           | 510 | 808 | 318 | 24 3/8          | 20 1/16  | 31 1/8  | 12 3/8   |
| 80AFP41.5F 3Ø  | 474           | 280 | 510 | 717 | 227 | 49.5             | 5   | 18 1/16         | 11 1/16 | 20 1/16  | 28 3/4  | 8 15/16  | 109              | 11  | 639           | 510 | 766 | 276 | 25 3/16         | 20 1/16  | 30 3/16 | 10 7/8   |

WT1:Pump Weight(including float switch)  
WT2:Elbow Set Weight