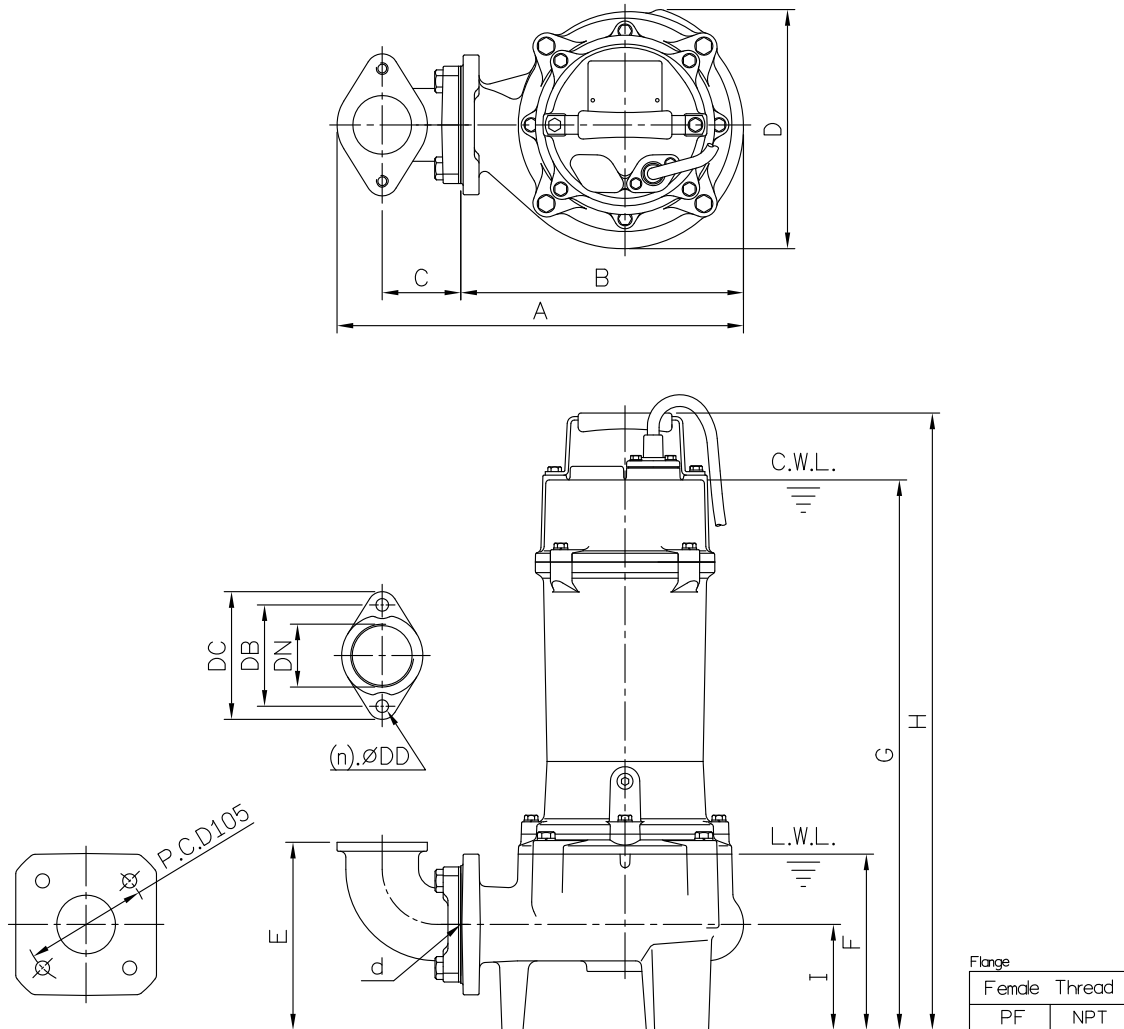


**DIMENSIONS**

**No: S2AFU408030-00**

**MODEL: 50AFU4.4 & 50AFU4.8**

**1Ø & 3Ø**



Dimensions—mm

Weight:Kg

Model	d	A	B	C	D	E	F	G	H	I	WT1	Elbow (Flange) Set	DN	DB	DC	DD	(n)QTY	WT2
50AFU4.4 1Ø	50	347	241	67	204	160	150	469	526	90	30	EB2-96	50	96	121	12	2	3
50AFU4.4 3Ø	50	347	241	67	204	160	150	469	526	90	28	EB2-96	50	96	121	12	2	3
50AFU4.8 1Ø	50	347	241	67	204	160	150	469	526	90	30	EB2-96	50	96	121	12	2	3
50AFU4.8 3Ø	50	347	241	67	204	160	150	469	526	90	29	EB2-96	50	96	121	12	2	3

Dimensions—inch

Weight:Lbs

Model	d	A	B	C	D	E	F	G	H	I	WT1	Elbow (Flange) Set	DN	DB	DC	DD	(n)QTY	WT2
50AFU4.4 1Ø	2	13 <sup>3</sup> / <sub>16</sub>	9 <sup>1</sup> / <sub>2</sub>	2 <sup>5</sup> / <sub>8</sub>	8 <sup>1</sup> / <sub>16</sub>	6 <sup>5</sup> / <sub>16</sub>	5 <sup>7</sup> / <sub>8</sub>	18 <sup>1</sup> / <sub>16</sub>	20 <sup>1</sup> / <sub>16</sub>	3 <sup>9</sup> / <sub>16</sub>	66	EB2-96	2	3 <sup>3</sup> / <sub>4</sub>	4 <sup>3</sup> / <sub>4</sub>	1/2	2	7
50AFU4.4 3Ø	2	13 <sup>3</sup> / <sub>16</sub>	9 <sup>1</sup> / <sub>2</sub>	2 <sup>5</sup> / <sub>8</sub>	8 <sup>1</sup> / <sub>16</sub>	6 <sup>5</sup> / <sub>16</sub>	5 <sup>7</sup> / <sub>8</sub>	18 <sup>1</sup> / <sub>16</sub>	20 <sup>1</sup> / <sub>16</sub>	3 <sup>9</sup> / <sub>16</sub>	62	EB2-96	2	3 <sup>3</sup> / <sub>4</sub>	4 <sup>3</sup> / <sub>4</sub>	1/2	2	7
50AFU4.8 1Ø	2	13 <sup>3</sup> / <sub>16</sub>	9 <sup>1</sup> / <sub>2</sub>	2 <sup>5</sup> / <sub>8</sub>	8 <sup>1</sup> / <sub>16</sub>	6 <sup>5</sup> / <sub>16</sub>	5 <sup>7</sup> / <sub>8</sub>	18 <sup>1</sup> / <sub>16</sub>	20 <sup>1</sup> / <sub>16</sub>	3 <sup>9</sup> / <sub>16</sub>	66	EB2-96	2	3 <sup>3</sup> / <sub>4</sub>	4 <sup>3</sup> / <sub>4</sub>	1/2	2	7
50AFU4.8 3Ø	2	13 <sup>3</sup> / <sub>16</sub>	9 <sup>1</sup> / <sub>2</sub>	2 <sup>5</sup> / <sub>8</sub>	8 <sup>1</sup> / <sub>16</sub>	6 <sup>5</sup> / <sub>16</sub>	5 <sup>7</sup> / <sub>8</sub>	18 <sup>1</sup> / <sub>16</sub>	20 <sup>1</sup> / <sub>16</sub>	3 <sup>9</sup> / <sub>16</sub>	64	EB2-96	2	3 <sup>3</sup> / <sub>4</sub>	4 <sup>3</sup> / <sub>4</sub>	1/2	2	7

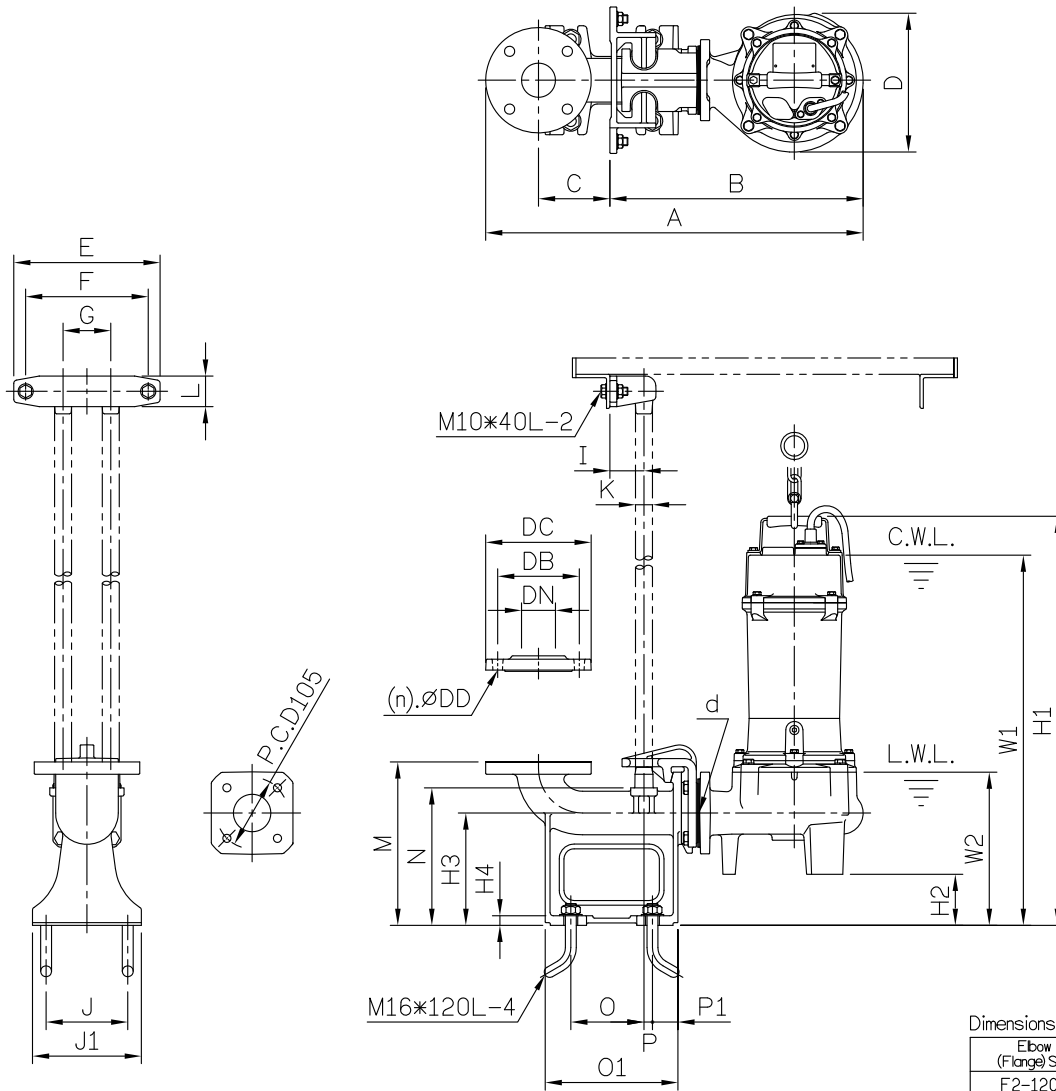
C.W.L.:Continuous Running Water Level WT1:Pump Weight(Without Cable)  
 L.W.L.:Lowest Running Water Level WT2:Elbow Set Weight

**DIMENSIONS**

**No: S2AFU40803T-00**

**MODEL: 50AFU4.4 & 50AFU4.8**

**1Ø & 3Ø**



Flange	
Female	Thread
PT	NPT

Dimensions-mm						
Elbow (Flange) Set	DN	DB	DC	DD	(n)QTY	
F2-120	50	120	155	15	4	

Dimensions-inch						
Elbow (Flange) Set	DN	DB	DC	DD	(n)QTY	
F2-120	2	4 3/4	6 1/8	5/16	4	

Dimensions-mm

Weight:Kg

Model	d	A	B	C	D	E	F	G	I	J	J1	K	L	M	N	O	O1	P	P1	W1	W2	H1	H2	H3	H4	WT1	GRS Set	WT2
50AFU4.4 1Ø	50	555	372	105	204	215	180	70	50	120	160	1"	45	240	202	108	195	13	38	544	225	601	75	165	14	30	T50F	17
50AFU4.4 3Ø	50	555	372	105	204	215	180	70	50	120	160	1"	45	240	202	108	195	13	38	544	225	601	75	165	14	28	T50F	17
50AFU4.8 1Ø	50	555	372	105	204	215	180	70	50	120	160	1"	45	240	202	108	195	13	38	544	225	601	75	165	14	30	T50F	17
50AFU4.8 3Ø	50	555	372	105	204	215	180	70	50	120	160	1"	45	240	202	108	195	13	38	544	225	601	75	165	14	29	T50F	17

Dimensions-inch

Weight:Lbs

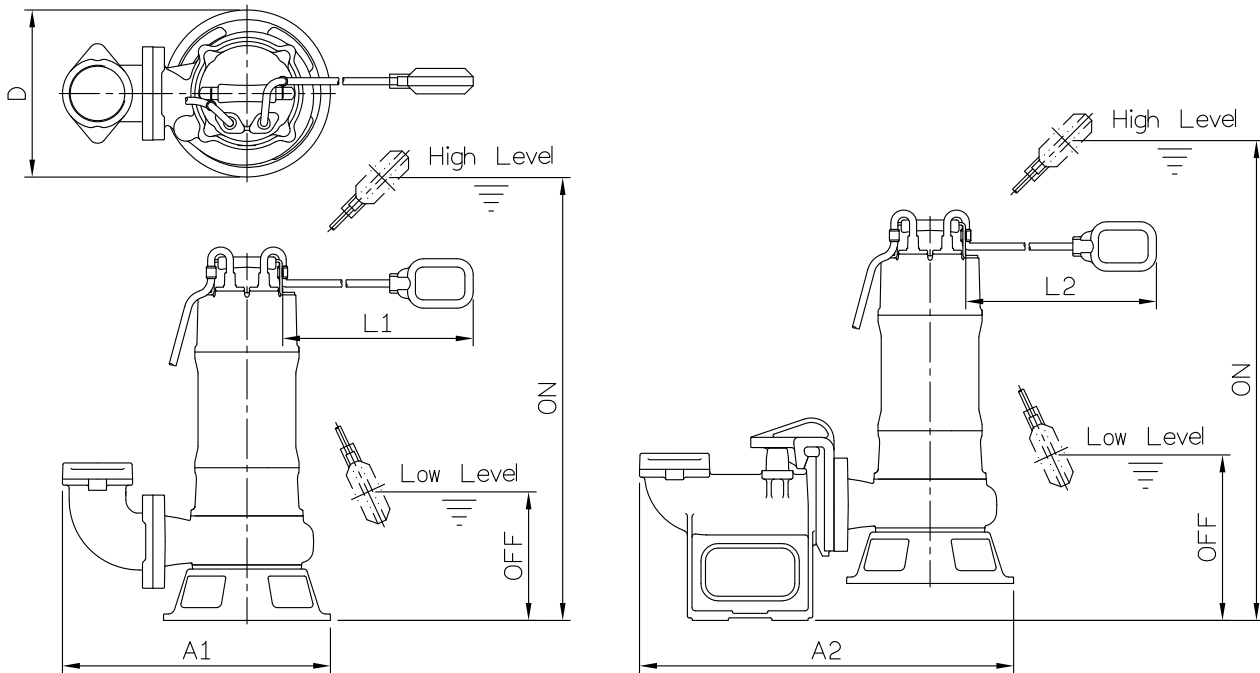
Model	d	A	B	C	D	E	F	G	I	J	J1	K	L	M	N	O	O1	P	P1	W1	W2	H1	H2	H3	H4	WT1	GRS Set	WT2
50AFU4.4 1Ø	2	21 7/8	14 5/8	4 1/8	8 1/16	8 3/16	7 1/16	2 3/4	2	4 3/4	6 5/16	1	1 3/4	9 7/16	7 15/16	4 1/4	7 15/16	1/2	1 1/2	21 1/16	8 7/8	23 11/16	2 5/16	6 1/2	5/16	66	T50F	37
50AFU4.4 3Ø	2	21 1/8	14 3/8	4 1/8	8 1/16	8 3/16	7 1/16	2 3/4	2	4 3/4	6 5/16	1	1 3/4	9 7/16	7 15/16	4 1/4	7 15/16	1/2	1 1/2	21 1/16	8 7/8	23 3/16	2 5/16	6 1/2	5/16	62	T50F	37
50AFU4.8 1Ø	2	21 1/8	14 3/8	4 1/8	8 1/16	8 3/16	7 1/16	2 3/4	2	4 3/4	6 5/16	1	1 3/4	9 7/16	7 15/16	4 1/4	7 15/16	1/2	1 1/2	21 1/16	8 7/8	23 3/16	2 5/16	6 1/2	5/16	66	T50F	37
50AFU4.8 3Ø	2	21 7/8	14 5/8	4 1/8	8 1/16	8 3/16	7 1/16	2 3/4	2	4 3/4	6 5/16	1	1 3/4	9 7/16	7 15/16	4 1/4	7 15/16	1/2	1 1/2	21 1/16	8 7/8	23 11/16	2 5/16	6 1/2	5/16	64	T50F	37

C.W.L.:Continuous Running Water Level WT1:Pump Weight(Without Cable)  
L.W.L.:Lowest Running Water Level WT2:GRS Set Weight

**DIMENSIONS**

**No: SOAF00000F-00**

**Float Switch Pumps Model**



Model	Pump Only														With GRS							
	Dimensions-mm					Weight-kg		Dimensions-inch					Weight-lb		Dimensions-mm				Dimensions-inch			
	A1	D	L1	ON	OFF	WT1 50Hz/60Hz	WT2	A1	D	L1	ON	OFF	WT1 50Hz/60Hz	WT2	A2	L2	ON	OFF	A2	L2	ON	OFF
50AFU2.4F 1Ø	235	154	380	570	240	19.5	0.5	9 3/4	6 1/8	14 15/16	22 7/16	9 7/16	43	1	415	380	589	259	16 5/16	14 15/16	23 3/16	10 3/16
50AFU2.8F 1Ø	235	154	380	570	240	20.5	0.5	9 3/4	6 1/8	14 15/16	22 7/16	9 7/16	45	1	415	380	589	259	16 5/16	14 15/16	23 3/16	10 3/16
50AFU2.4LF 1Ø	307	164	380	600	270	20.5	3	12 1/16	6 7/16	14 15/16	23 3/8	10 5/8	45	6.5	515	380	685	355	20 3/4	14 15/16	26 5/16	14
50AFU2.8LF 1Ø	307	164	380	600	270	22.5	3	12 1/16	6 7/16	14 15/16	23 3/8	10 5/8	49.5	6.5	515	380	685	355	20 3/4	14 15/16	26 5/16	14
50AFU21.5F 1Ø	288	202	455	605	155	33.5	0.5	11 1/16	7 15/16	17 15/16	23 3/8	6 1/8	74	1	582	455	632	182	22 3/16	17 15/16	24 3/8	7 3/16
80AFU21.5F 1Ø	397	202	455	645	195	35.5	5	15 1/2	7 15/16	17 15/16	25 3/8	7 11/16	78	11	567	455	744	294	22 3/16	17 15/16	29 1/8	11 1/16
80AFU22.2F 1Ø	397	202	455	680	230	38.5	5	15 1/2	7 15/16	17 15/16	26 3/8	9 1/16	85	11	567	455	779	329	22 3/16	17 15/16	30 1/8	12 3/16
80AFU21.5LF 1Ø	402	221	455	695	245	38.5	5	15 1/2	8 1/16	17 15/16	27 3/8	9 5/8	85	11	572	455	755	305	22 3/16	17 15/16	29 3/4	12
80AFU22.2LF 1Ø	402	221	455	730	280	40.5	5	15 1/2	8 1/16	17 15/16	28 3/4	11	89	11	572	455	790	340	22 3/16	17 15/16	31 1/8	13 3/8
80AFP21.5F 1Ø	417	260	455	645	195	37.5	5	16 1/16	10 3/4	17 15/16	25 3/8	7 11/16	83	11	582	455	702	252	22 3/16	17 15/16	27 3/8	9 15/16
80AFP22.2F 1Ø	417	260	455	680	230	40.5	5	16 1/16	10 3/4	17 15/16	26 3/4	9 1/16	89	11	582	455	737	287	22 3/16	17 15/16	29	11 1/16
50AFU2.4F 3Ø	235	154	380	570	240	19	0.5	9 3/4	6 1/8	14 15/16	22 1/16	9 7/16	42	1	415	380	589	259	16 5/16	14 15/16	23 3/16	10 3/16
50AFU2.8F 3Ø	235	154	380	570	240	20	0.5	9 3/4	6 1/8	14 15/16	22 1/16	9 7/16	44	1	415	380	589	259	16 5/16	14 15/16	23 3/16	10 3/16
50AFU2.4LF 3Ø	307	164	380	600	270	20	3	12 1/16	6 7/16	14 15/16	23 3/8	10 5/8	44	6.5	515	380	685	355	20 3/4	14 15/16	26 1/16	14
50AFU2.8LF 3Ø	307	164	380	600	270	22	3	12 1/16	6 7/16	14 15/16	23 3/8	10 5/8	48.5	6.5	515	380	685	355	20 3/4	14 15/16	26 1/16	14
50AFU21.5F 3Ø	288	202	510	437	149	31.5	0.5	11 1/16	7 15/16	20 1/16	17 1/16	5 7/8	69.5	1	582	510	464	176	22 3/16	20 1/16	18 1/4	6 15/16
80AFU21.5F 3Ø	397	202	510	477	189	34.5	5	15 1/2	7 15/16	20 1/16	18 3/4	7 7/16	76	11	567	510	576	288	22 3/16	20 1/16	22 1/16	11 1/16
80AFU22.2F 3Ø	397	202	510	477	189	36.5	5	15 1/2	7 15/16	20 1/16	18 3/4	7 7/16	80.5	11	567	510	576	288	22 3/16	20 1/16	22 1/16	11 1/16
80AFU21.5LF 3Ø	402	221	510	527	239	36.5	5	15 1/2	8 1/16	20 1/16	20 3/4	9 7/16	80.5	11	572	510	587	299	22 3/16	20 1/16	23 3/8	11 3/4
80AFU22.2LF 3Ø	402	221	510	527	239	38.5	5	15 1/2	8 1/16	20 1/16	20 3/4	9 7/16	85	11	572	510	587	299	22 3/16	20 1/16	23 3/8	11 3/4
80AFP21.5F 3Ø	417	260	510	620	250	35.5	5	16 1/16	10 3/4	20 1/16	24 1/16	9 13/16	78	11	582	510	677	307	22 3/16	20 1/16	26 5/8	12 3/16
80AFP22.2F 3Ø	417	260	510	620	250	37.5	5	16 1/16	10 3/4	20 1/16	24 1/16	9 13/16	83	11	582	510	677	307	22 3/16	20 1/16	26 5/8	12 3/16
50AFU4.4F 1Ø	347	204	470	750	200	30.5	3	13 3/16	8 3/16	18 1/2	29 1/2	7 7/8	67	6.5	555	470	825	275	21 1/8	18 1/2	32 1/2	10 13/16
50AFU4.8F 1Ø	347	204	470	750	200	30.5	3	13 3/16	8 3/16	18 1/2	29 1/2	7 7/8	67	6.5	555	470	825	275	21 1/8	18 1/2	32 1/2	10 13/16
80AFU41.5F 1Ø	447	255	455	780	300	47.5	5	17 3/8	10 1/16	17 15/16	30 3/16	11 13/16	105	11	612	455	818	338	24 3/8	17 15/16	32 3/16	13 3/16
80AFP41.5F 1Ø	474	280	455	727	247	47.5/46.5	5	18 1/16	11 1/16	17 15/16	28 3/8	9 3/4	105/102.5	11	639	455	776	296	25 3/16	17 15/16	30 3/16	11 5/8
50AFU4.4F 3Ø	347	204	470	750	200	29	3	13 3/16	8 3/16	18 1/2	29 1/2	7 7/8	64	6.5	555	470	825	275	21 1/8	18 1/2	32 1/2	10 13/16
50AFU4.8F 3Ø	347	204	470	750	200	30	3	13 3/16	8 3/16	18 1/2	29 1/2	7 7/8	66	6.5	555	470	825	275	21 1/8	18 1/2	32 1/2	10 13/16
80AFU41.5F 3Ø	447	255	510	770	280	49.5	5	17 3/8	10 1/16	20 1/16	30 3/16	11	109	11	612	510	808	318	24 3/8	20 1/16	31 1/8	12 3/2
80AFP41.5F 3Ø	474	280	510	717	227	49.5	5	18 1/16	11 1/16	20 1/16	28 3/4	8 15/16	109	11	639	510	766	276	25 3/16	20 1/16	30 3/16	10 7/8

WT1:Pump Weight(including float switch)  
WT2:Elbow Set Weight