



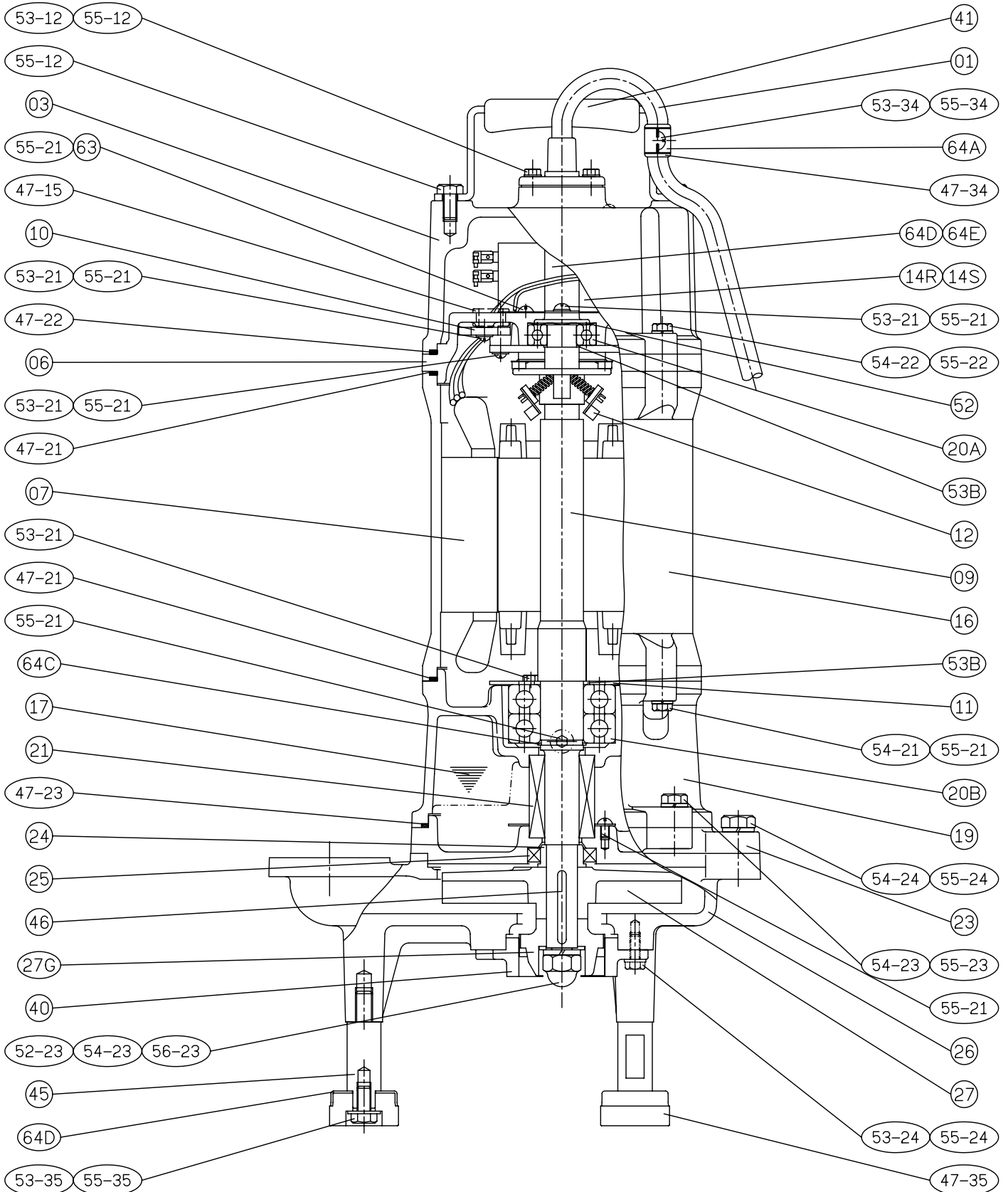
PUMP

SECTIONAL DRAWING

AFGF0215H10-00

DATE:2011-12

MODEL: 32GF21.5H 1Ø





PUMP

SECTIONAL DRAWING

AFGF0215H30-00

DATE:2011-12

MODEL: 32GF21.5H 3Ø

