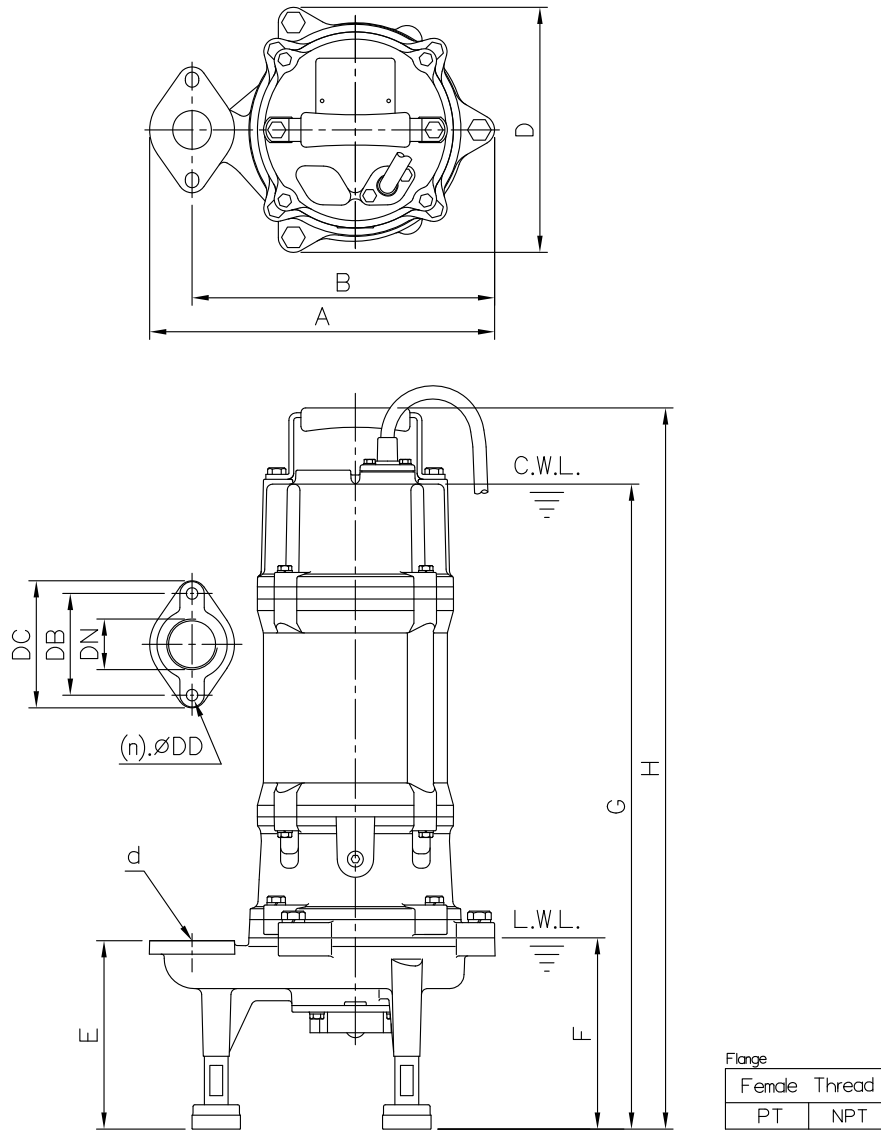


DIMENSIONS

No: SFGF0222010-00

MODEL: 32GF21.5/22.2 & 32GF21.5H/22.2H

10



Dimensions--mm

Weight:Kg

Model	d	A	B	D	E	F	G	H	WT1	Elbow (Flange) Set	DN	DB	DC	DD	(n)QTY	WT2
32GF21.5	32	285	250	203	156	158	533	596	36	EF1¼-84	32	84	105	10	2	1
32GF22.2	32	285	250	203	156	158	560	623	38	EF1¼-84	32	84	105	10	2	1
32GF21.5H	32	285	250	203	156	158	533	596	36	EF1¼-84	32	84	105	10	2	1
32GF22.2H	32	285	250	203	156	158	560	623	38	EF1¼-84	32	84	105	10	2	1

Dimensions--inch

Weight:Lbs

Model	d	A	B	D	E	F	G	H	WT1	Elbow (Flange) Set	DN	DB	DC	DD	(n)QTY	WT2
32GF21.5	1¼	11¼	9¾	8	6½	6¼	21	23¼	79	EF1¼-84	1¼	3⅝	4¼	⅜	2	1
32GF22.2	1¼	11¼	9¾	8	6½	6¼	22½	24½	84	EF1¼-84	1¼	3⅝	4¼	⅜	2	1
32GF21.5H	1¼	11¼	9¾	8	6½	6¼	21	23¼	79	EF1¼-84	1¼	3⅝	4¼	⅜	2	1
32GF22.2H	1¼	11¼	9¾	8	6½	6¼	22½	24½	84	EF1¼-84	1¼	3⅝	4¼	⅜	2	1

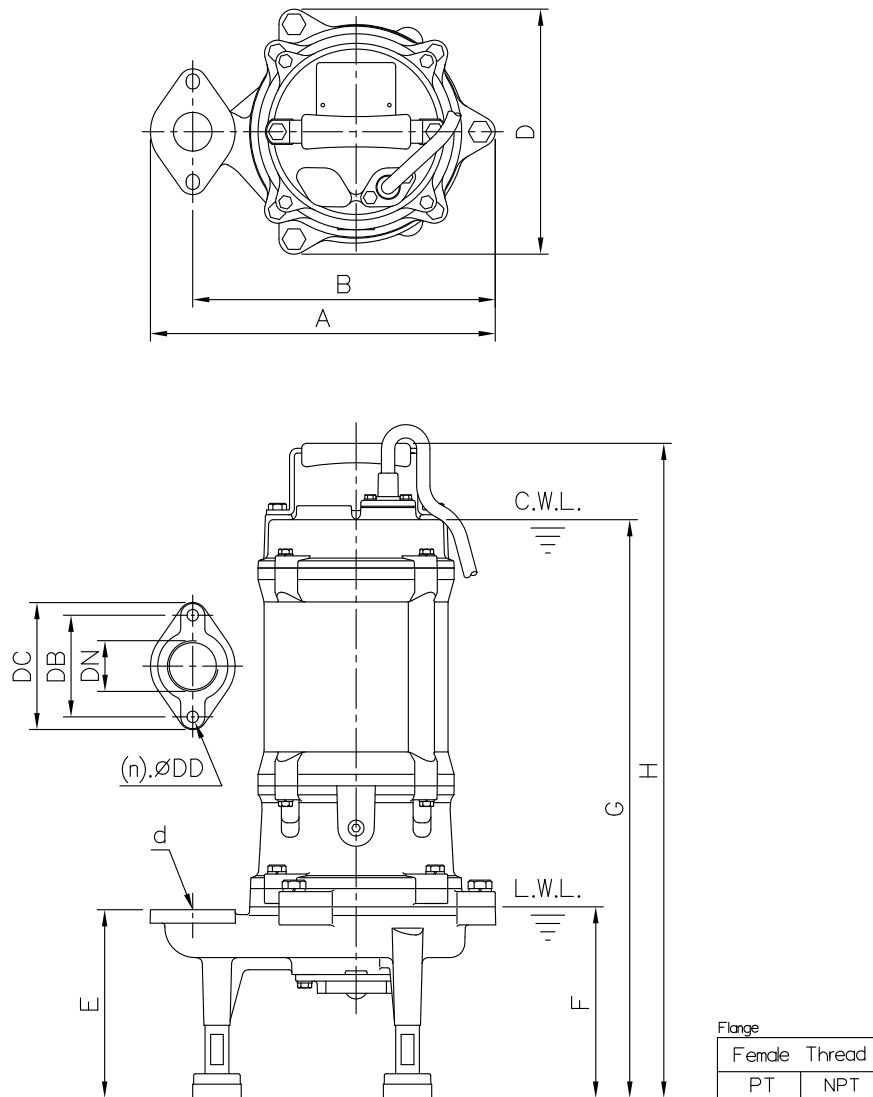
C.W.L.:Continuous Running Water Level WT1:Pump Weight(Without Cable)
 L.W.L.:Lowest Running Water Level WT2:Elbow Set Weight

DIMENSIONS

No: SFGF0222030-00

MODEL: 32GF21.5/22.2 & 32GF21.5H/22.2H

3Ø



Dimensions—mm

Weight:Kg

Model	d	A	B	D	E	F	G	H	WT1	Elbow (Flange) Set	DN	DB	DC	DD	(n)QTY	WT2
32GF21.5	32	285	250	203	156	158	478	541	32	EF1¼-84	32	84	105	10	2	1
32GF22.2	32	285	250	203	156	158	478	541	35	EF1¼-84	32	84	105	10	2	1
32GF21.5H	32	285	250	203	156	158	478	541	32	EF1¼-84	32	84	105	10	2	1
32GF22.2H	32	285	250	203	156	158	478	541	35	EF1¼-84	32	84	105	10	2	1

Dimensions—inch

Weight:Lbs

Model	d	A	B	D	E	F	G	H	WT1	Elbow (Flange) Set	DN	DB	DC	DD	(n)QTY	WT2
32GF21.5	1¼	11¼	9 ³ / ₁₆	8	6 ¹ / ₈	6¼	18 ³ / ₁₆	21 ⁵ / ₁₆	71	EF1¼-84	1¼	3 ⁵ / ₁₆	4¼	¾	2	1
32GF22.2	1¼	11¼	9 ³ / ₁₆	8	6 ¹ / ₈	6¼	18 ³ / ₁₆	21 ⁵ / ₁₆	77	EF1¼-84	1¼	3 ⁵ / ₁₆	4¼	¾	2	1
32GF21.5H	1¼	11¼	9 ³ / ₁₆	8	6 ¹ / ₈	6¼	18 ³ / ₁₆	21 ⁵ / ₁₆	71	EF1¼-84	1¼	3 ⁵ / ₁₆	4¼	¾	2	1
32GF22.2H	1¼	11¼	9 ³ / ₁₆	8	6 ¹ / ₈	6¼	18 ³ / ₁₆	21 ⁵ / ₁₆	77	EF1¼-84	1¼	3 ⁵ / ₁₆	4¼	¾	2	1

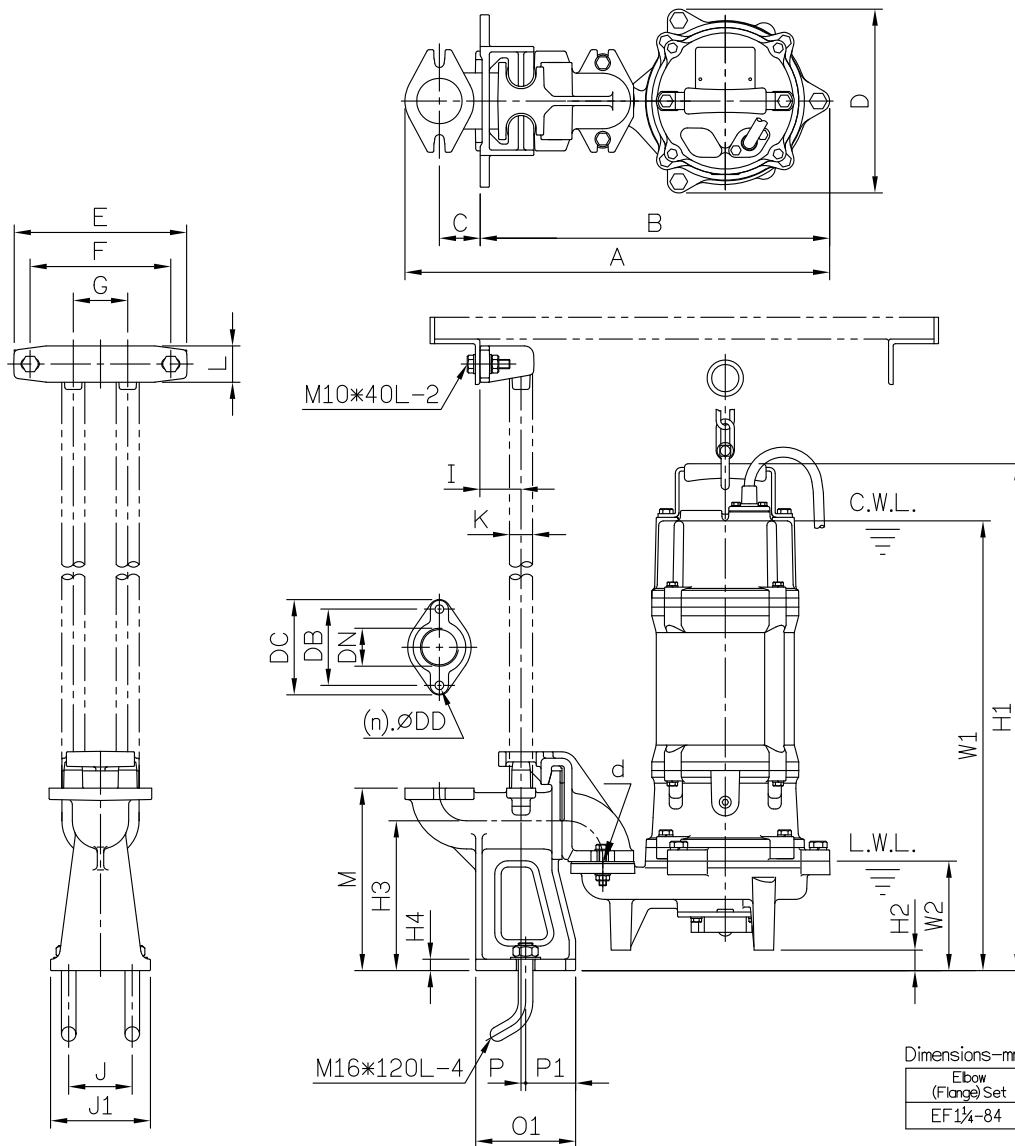
C.W.L.:Continuous Running Water Level WT1:Pump Weight(Without Cable)
 L.W.L.:Lowest Running Water Level WT2:Elbow Set Weight

DIMENSIONS

No: SFGF022201T-00

MODEL: 32GF21.5/22.2 & 32GF21.5H/22.2H

10



Flange	
Female Thread	
PF	NPT

Dimensions-mm

Elbow (Flange) Set	DN	DB	DC	DD	(n)QTY
EF1¼-84	32	84	105	10	2

Dimensions-inch

Elbow (Flange) Set	DN	DB	DC	DD	(n)QTY
EF1¼-84	1 ¼	3 5/16	4 1/8	3/8	2

Dimensions-mm

Model	d	A	B	C	D	E	F	G	I	J	J1	K	L	M	O1	P	P1	W1	W2	H1	H2	H3	H4	WT1	Weight:Kg	
																									GRS Set	WT2
32GF21.5	32	468	385	45	203	190	155	60	45	70	110	¾"	40	201	110	5	55	495	120	558	22	165	13	36	T2-32(50)	8
32GF22.2	32	468	385	45	203	190	155	60	45	70	110	¾"	40	201	110	5	55	522	120	585	22	165	13	38	T2-32(50)	8
32GF21.5H	32	468	385	45	203	190	155	60	45	70	110	¾"	40	201	110	5	55	495	120	558	22	165	13	36	T2-32(50)	8
32GF22.2H	32	468	385	45	203	190	155	60	45	70	110	¾"	40	201	110	5	55	522	120	585	22	165	13	38	T2-32(50)	8

Dimensions-inch

Model	d	A	B	C	D	E	F	G	I	J	J1	K	L	M	O1	P	P1	W1	W2	H1	H2	H3	H4	WT1	Weight:Lbs	
																									GRS Set	WT2
32GF21.5	1 ¼	18 3/16	15 3/16	1 ¾	8	7 ½	6 ½	2 ¾	1 ¾	2 ¾	4 5/16	¾	1 9/16	7 15/16	4 5/16	¾	2 1/16	19 ½	4 ¾	21 15/16	7/8	6 ½	½	79	T2-32(50)	18
32GF22.2	1 ¼	18 3/16	15 3/16	1 ¾	8	7 ½	6 ½	2 ¾	1 ¾	2 ¾	4 5/16	¾	1 9/16	7 15/16	4 5/16	¾	2 1/16	20 3/16	4 ¾	23 3/16	7/8	6 ½	½	84	T2-32(50)	18
32GF21.5H	1 ¼	18 3/16	15 3/16	1 ¾	8	7 ½	6 ½	2 ¾	1 ¾	2 ¾	4 5/16	¾	1 9/16	7 15/16	4 5/16	¾	2 1/16	19 ½	4 ¾	21 15/16	7/8	6 ½	½	79	T2-32(50)	18
32GF22.2H	1 ¼	18 3/16	15 3/16	1 ¾	8	7 ½	6 ½	2 ¾	1 ¾	2 ¾	4 5/16	¾	1 9/16	7 15/16	4 5/16	¾	2 1/16	20 3/16	4 ¾	23 3/16	7/8	6 ½	½	84	T2-32(50)	18

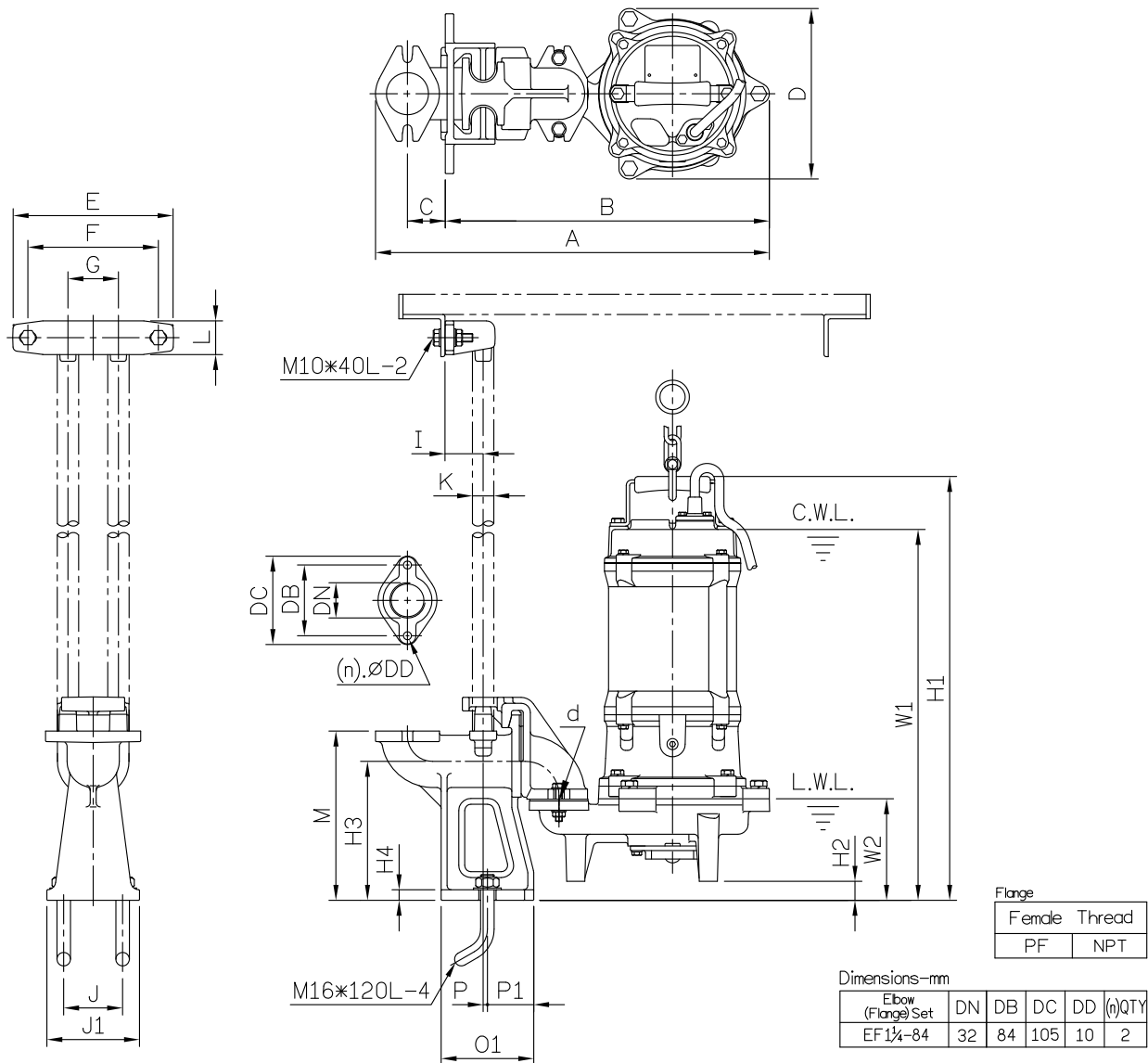
C.W.L.:Continuous Running Water Level WT1:Pump Weight(Without Cable)
 L.W.L.:Lowest Running Water Level WT2:GRS Set Weight

DIMENSIONS

No: SFGF022203T-00

MODEL: 32GF21.5/22.2 & 32GF21.5H/22.2H

30



Dimensions-mm

Weight:Kg

Model	d	A	B	C	D	E	F	G	I	J	J1	K	L	M	O1	P	P1	W1	W2	H1	H2	H3	H4	WT1	GRS Set	WT2
32GF21.5	32	468	385	45	203	190	155	60	45	70	110	¾"	40	201	110	5	55	440	120	503	23	165	13	32	T2-32(50)	8
32GF22.2	32	468	385	45	203	190	155	60	45	70	110	¾"	40	201	110	5	55	440	120	503	23	165	13	35	T2-32(50)	8
32GF21.5H	32	468	385	45	203	190	155	60	45	70	110	¾"	40	201	110	5	55	440	120	503	23	165	13	32	T2-32(50)	8
32GF22.2H	32	468	385	45	203	190	155	60	45	70	110	¾"	40	201	110	5	55	440	120	503	23	165	13	35	T2-32(50)	8

Dimensions-inch

Weight:Lbs

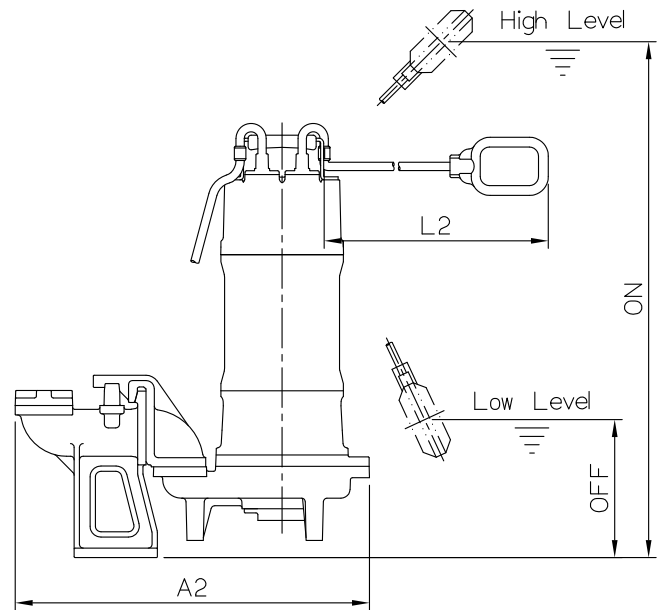
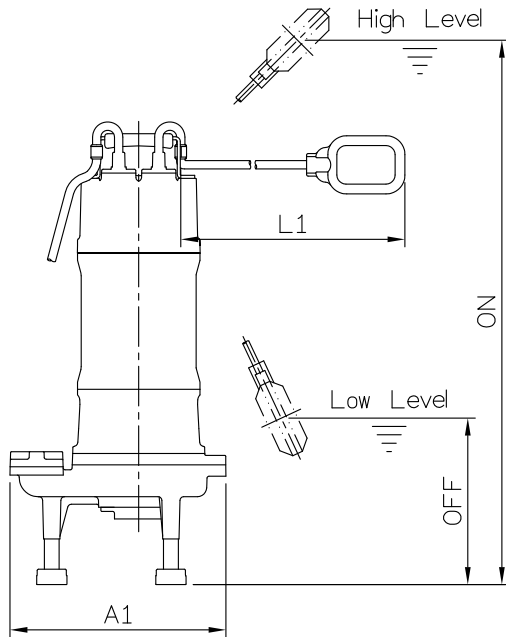
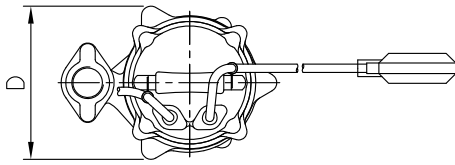
Model	d	A	B	C	D	E	F	G	I	J	J1	K	L	M	O1	P	P1	W1	W2	H1	H2	H3	H4	WT1	GRS Set	WT2
32GF21.5	1 ¼	18 3/16	15 3/16	1 ¾	8	7 ½	6 ½	2 ¾	1 ¾	2 ¾	4 5/16	¾	1 9/16	7 15/16	4 5/16	¾	2 1/16	17 5/16	4 ¾	19 3/16	7/8	6 ½	½	71	T2-32(50)	18
32GF22.2	1 ¼	18 3/16	15 3/16	1 ¾	8	7 ½	6 ½	2 ¾	1 ¾	2 ¾	4 5/16	¾	1 9/16	7 15/16	4 5/16	¾	2 1/16	17 5/16	4 ¾	19 3/16	7/8	6 ½	½	77	T2-32(50)	18
32GF21.5H	1 ¼	18 3/16	15 3/16	1 ¾	8	7 ½	6 ½	2 ¾	1 ¾	2 ¾	4 5/16	¾	1 9/16	7 15/16	4 5/16	¾	2 1/16	17 5/16	4 ¾	19 3/16	7/8	6 ½	½	71	T2-32(50)	18
32GF22.2H	1 ¼	18 3/16	15 3/16	1 ¾	8	7 ½	6 ½	2 ¾	1 ¾	2 ¾	4 5/16	¾	1 9/16	7 15/16	4 5/16	¾	2 1/16	17 5/16	4 ¾	19 3/16	7/8	6 ½	½	77	T2-32(50)	18

C.W.L.:Continuous Running Water Level WT1:Pump Weight(Without Cable)
L.W.L.:Lowest Running Water Level WT2:GRS Set Weight

DIMENSIONS

No: SOGF00000F-00

Float Switch Pumps Model



Model	Pump Only												With GRS									
	Dimensions-mm					Weight-kg		Dimensions-inch					Weight-lb		Dimensions-mm				Dimensions-inch			
	A1	D	L1	ON	OFF	WT1	WT2	A1	D	L1	ON	OFF	WT1	WT2	A2	L2	ON	OFF	A2	L2	ON	OFF
32GF21.0F 1Ø	249	177	470	636	266	27.5	0.5	9 ¹³ / ₁₆	6 ¹⁵ / ₁₆	18 ¹ / ₂	25 ¹ / ₁₆	10 ¹ / ₂	60.5	1	432	470	658	288	17	18 ¹ / ₂	25 ⁷ / ₈	11 ¹ / ₁₆
32GF21.5F 1Ø	285	203	455	666	216	36.5	0.5	11 ¹ / ₄	8	17 ⁷ / ₈	26 ¹ / ₄	8 ¹ / ₂	80.5	1	468	455	688	238	18 ⁷ / ₁₆	17 ¹ / ₈	27 ¹ / ₁₆	9 ³ / ₈
32GF22.2F 1Ø	285	203	455	692	242	38.5	0.5	11 ¹ / ₄	8	17 ¹⁵ / ₁₆	27 ¹ / ₄	9 ¹ / ₂	85	1	468	455	714	264	18 ⁷ / ₁₆	17 ¹⁵ / ₁₆	28 ¹ / ₈	10 ³ / ₈
32GF21.5HF 1Ø	285	203	455	666	216	36.5	0.5	11 ¹ / ₄	8	17 ¹⁵ / ₁₆	26 ¹ / ₄	8 ¹ / ₂	80.5	1	468	455	688	238	18 ¹ / ₁₆	17 ¹ / ₈	27 ¹ / ₁₆	9 ³ / ₈
32GF22.2HF 1Ø	285	203	455	692	242	38.5	0.5	11 ¹ / ₄	8	17 ⁷ / ₈	27 ¹ / ₄	9 ¹ / ₂	85	1	468	455	714	264	18 ⁷ / ₁₆	17 ¹⁵ / ₁₆	28 ¹ / ₈	10 ³ / ₈
32GF21.0F 3Ø	249	177	470	636	266	26	0.5	9 ¹³ / ₁₆	6 ¹⁵ / ₁₆	18 ¹ / ₂	25 ¹ / ₁₆	10 ¹ / ₂	57	1	432	470	658	288	17	18 ¹ / ₂	25 ⁷ / ₈	11 ¹ / ₁₆
32GF21.5F 3Ø	285	203	510	641	271	34.5	0.5	11 ¹ / ₄	8	20 ¹ / ₁₆	25 ¹ / ₄	10 ¹ / ₁₆	76	1	468	510	664	294	18 ¹ / ₁₆	20 ¹ / ₁₆	26 ¹ / ₈	11 ¹ / ₁₆
32GF22.2F 3Ø	285	203	510	641	271	37.5	0.5	11 ¹ / ₄	8	20 ¹ / ₁₆	25 ¹ / ₄	10 ¹ / ₁₆	83	1	468	510	664	294	18 ¹ / ₁₆	20 ¹ / ₁₆	26 ¹ / ₈	11 ¹ / ₁₆
32GF21.5HF 3Ø	285	203	510	641	271	34.5	0.5	11 ¹ / ₄	8	20 ¹ / ₁₆	25 ¹ / ₄	10 ¹ / ₁₆	76	1	468	510	664	294	18 ¹ / ₁₆	20 ¹ / ₁₆	26 ¹ / ₈	11 ¹ / ₁₆
32GF22.2HF 3Ø	285	203	510	641	271	37.5	0.5	11 ¹ / ₄	8	20 ¹ / ₁₆	25 ¹ / ₄	10 ¹ / ₁₆	83	1	468	510	664	294	18 ¹ / ₁₆	20 ¹ / ₁₆	26 ¹ / ₈	11 ¹ / ₁₆

WT1:Pump Weight(including float switch)
WT2:Elbow Set Weight