



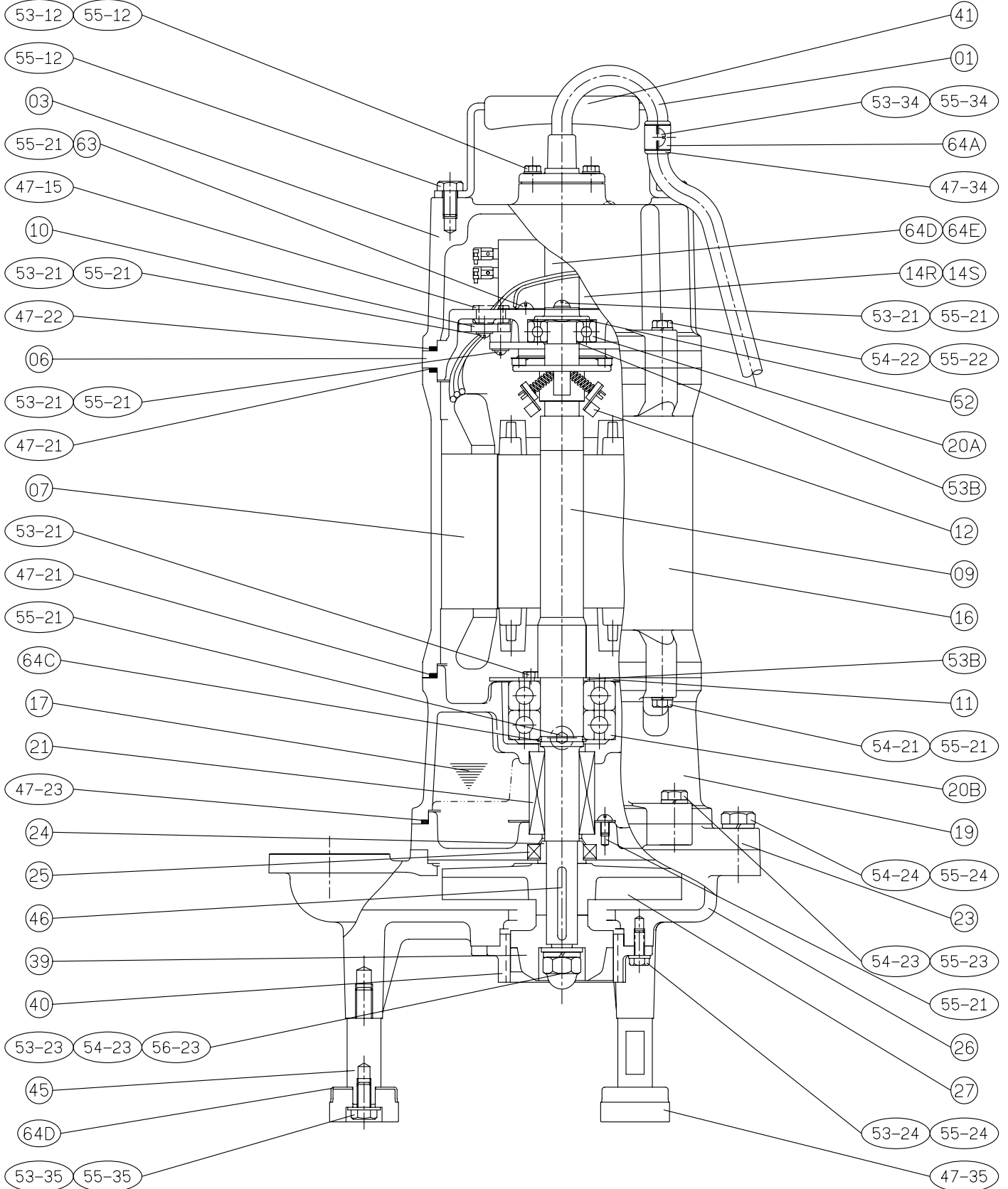
PUMP

SECTIONAL DRAWING

AFGF0212010-00

DATE:2011-10

MODEL: 32GF21.2,32GF21.5 1Ø





PUMP

SECTIONAL DRAWING

AFGF0212030-00

DATE:2011-10

MODEL: 32GF21.2,32GF21.5,32GF22.2 3Ø

